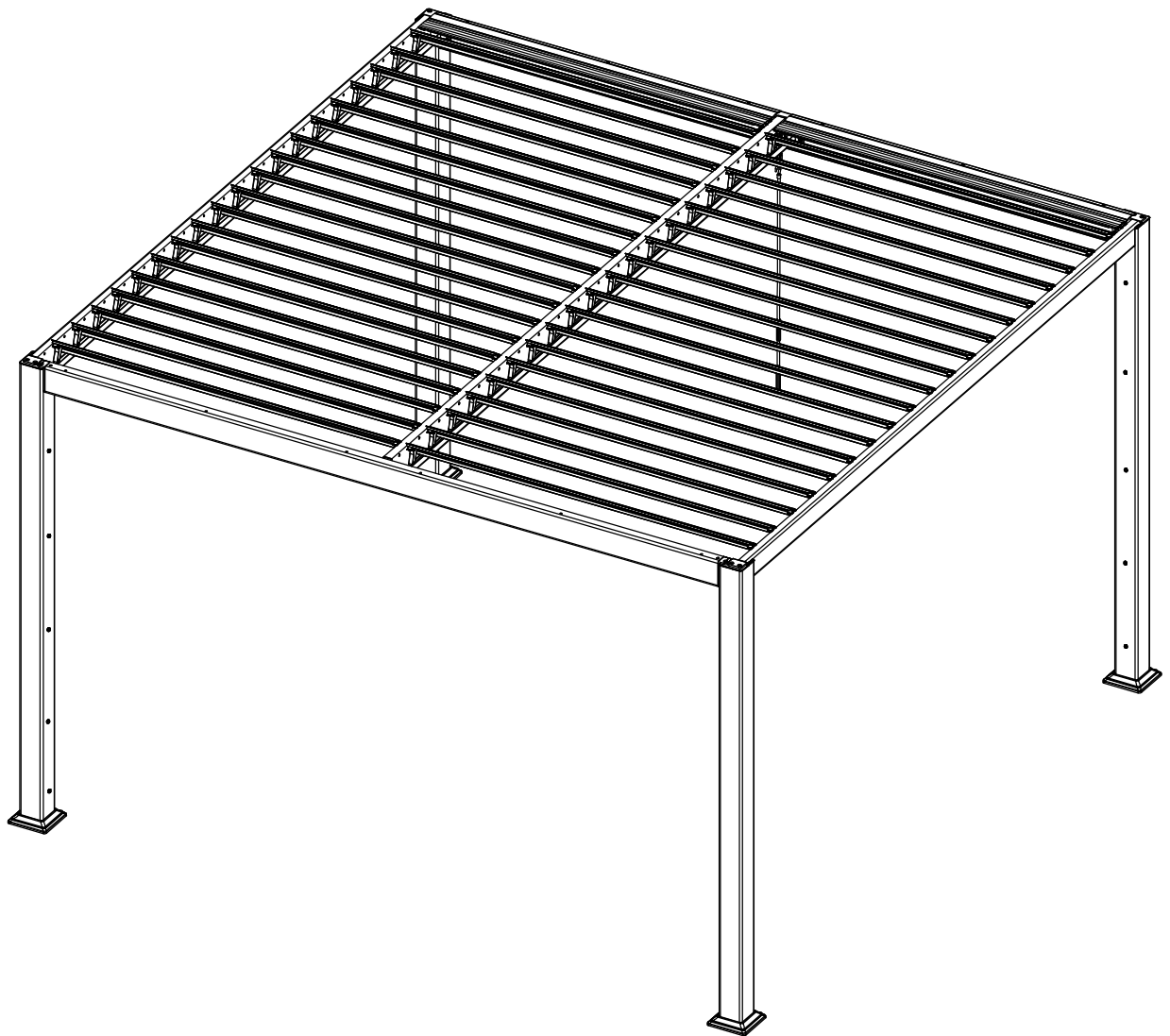
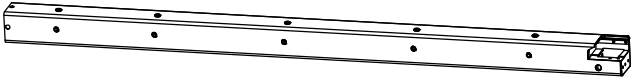
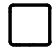
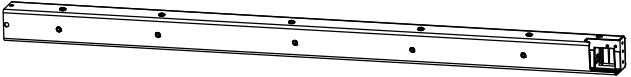
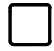
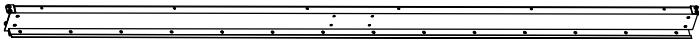











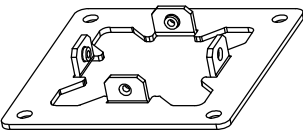
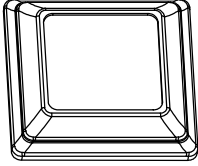

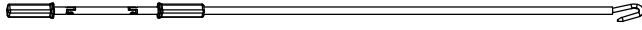
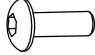
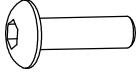
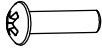
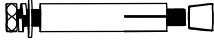






# IM FOR GAL100

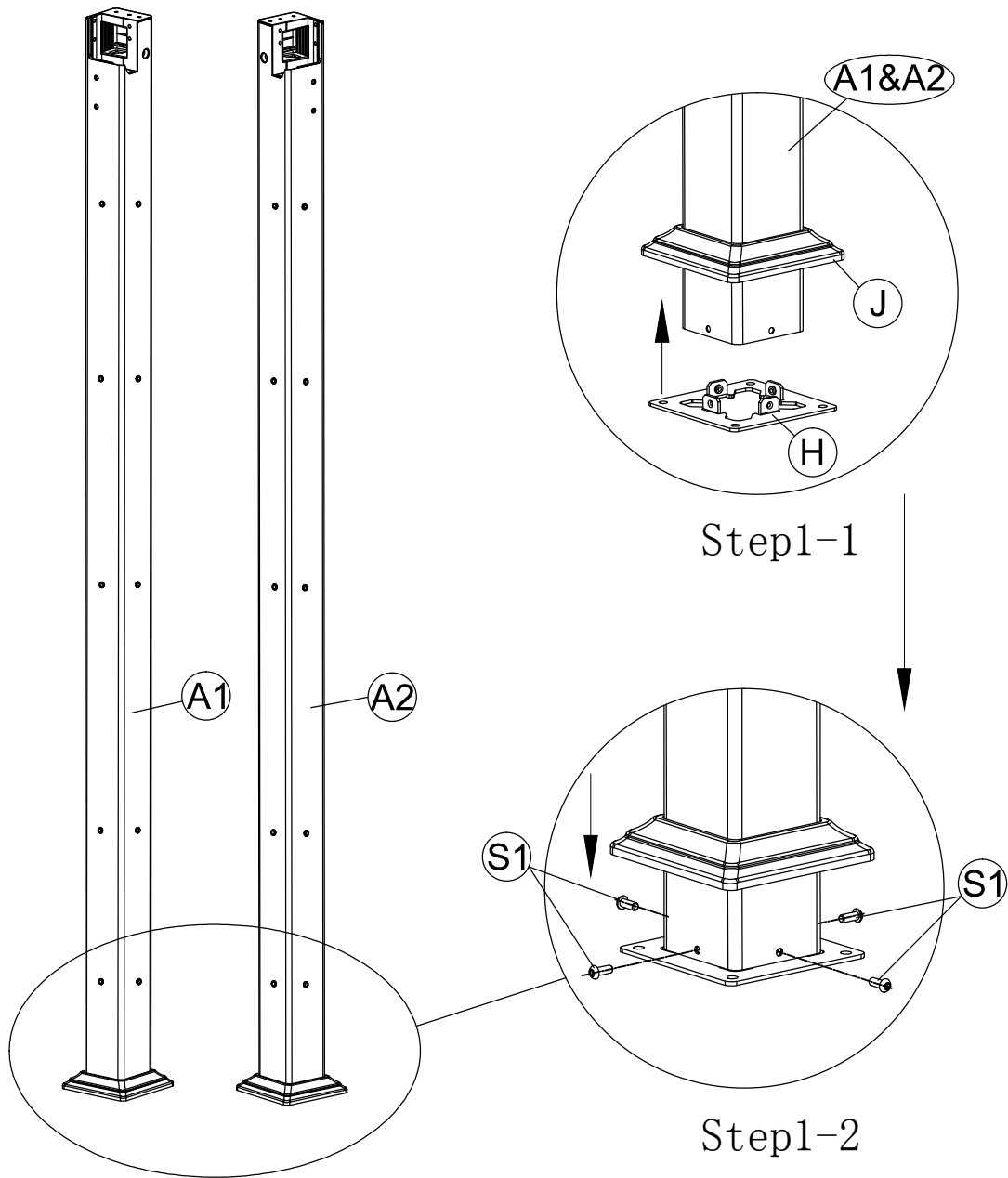
3\*3.6\*2.3M

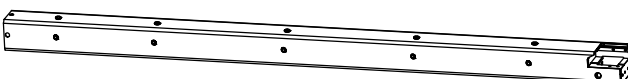

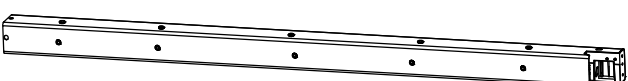
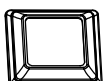
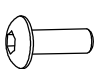


| REF | PCE | PIECE  |   | QTY | DIM |
|-----|-----|--|---|-----|-----|
|     | A1  |    |    | 2   |     |
|     | A2  |    |    | 2   |     |
|     | B   |    |    | 2   |     |
|     | C1  |    |    | 1   |     |
|     | C2  |    |    | 1   |     |
|     | D   |   |   | 1   |     |
|     | F   |  |  | 64  |     |
|     | G   |   |  | 2   |     |
|     | H   |   |   | 4   |     |
|     | J   |   |   | 4   |     |
|     | L   |   |   | 2   |     |

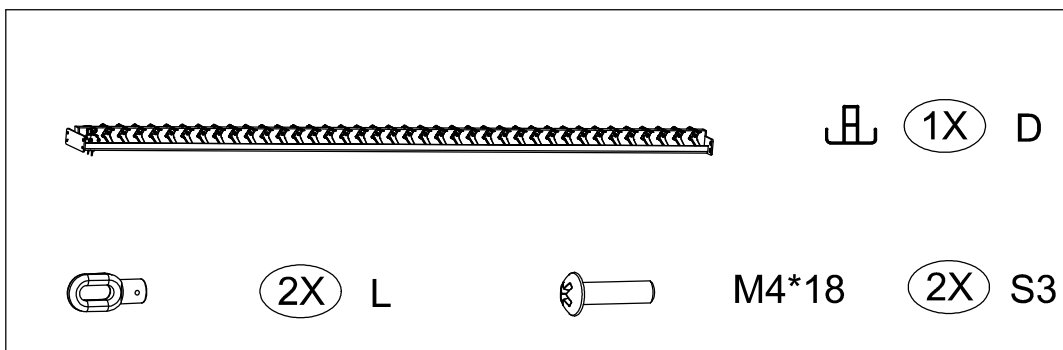
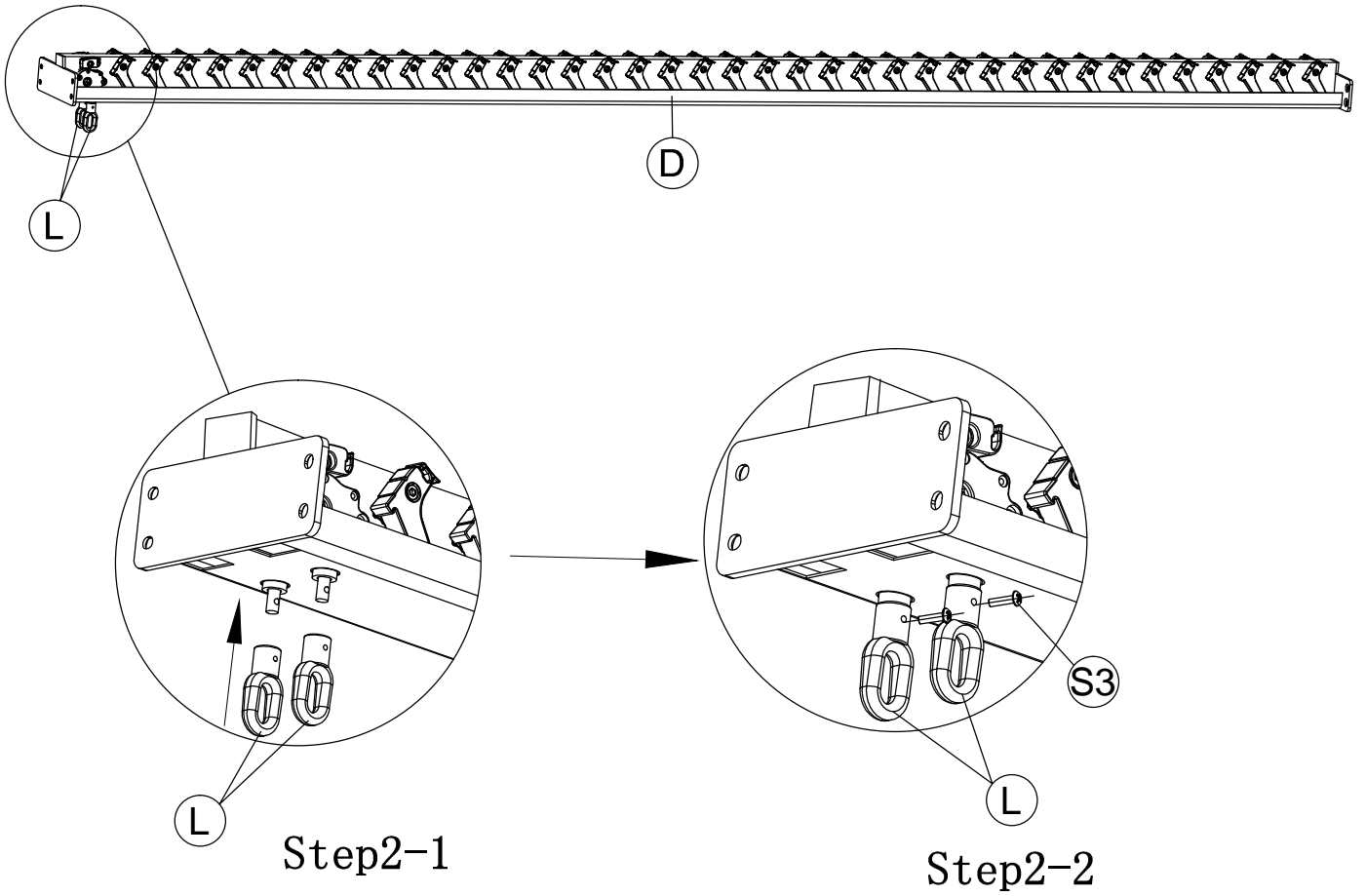
| REF | PCE | PIECE  | QTY  | DIM |
|-----|-----|--|------|-----|
|     | R   |    | 1    |     |
|     | S1  |  M6*15  | 22+2 |     |
|     | S2  |  M8*20  | 36+2 |     |
|     | S3  |  M4*18  | 2    |     |
|     | S4  |   | 8+1  |     |
|     | T1  |   | 2    |     |
|     | T2  |   | 1    |     |
|     | T3  |   | 1    |     |
|     |     |  Silicone neutral glass glue,<br>purchased by customers |      |     |

**STEP 01**

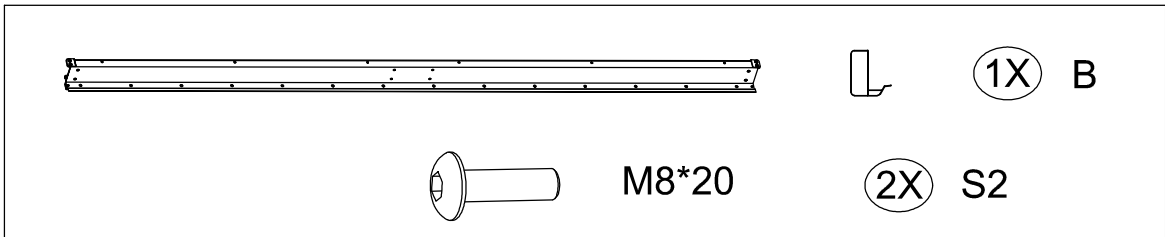
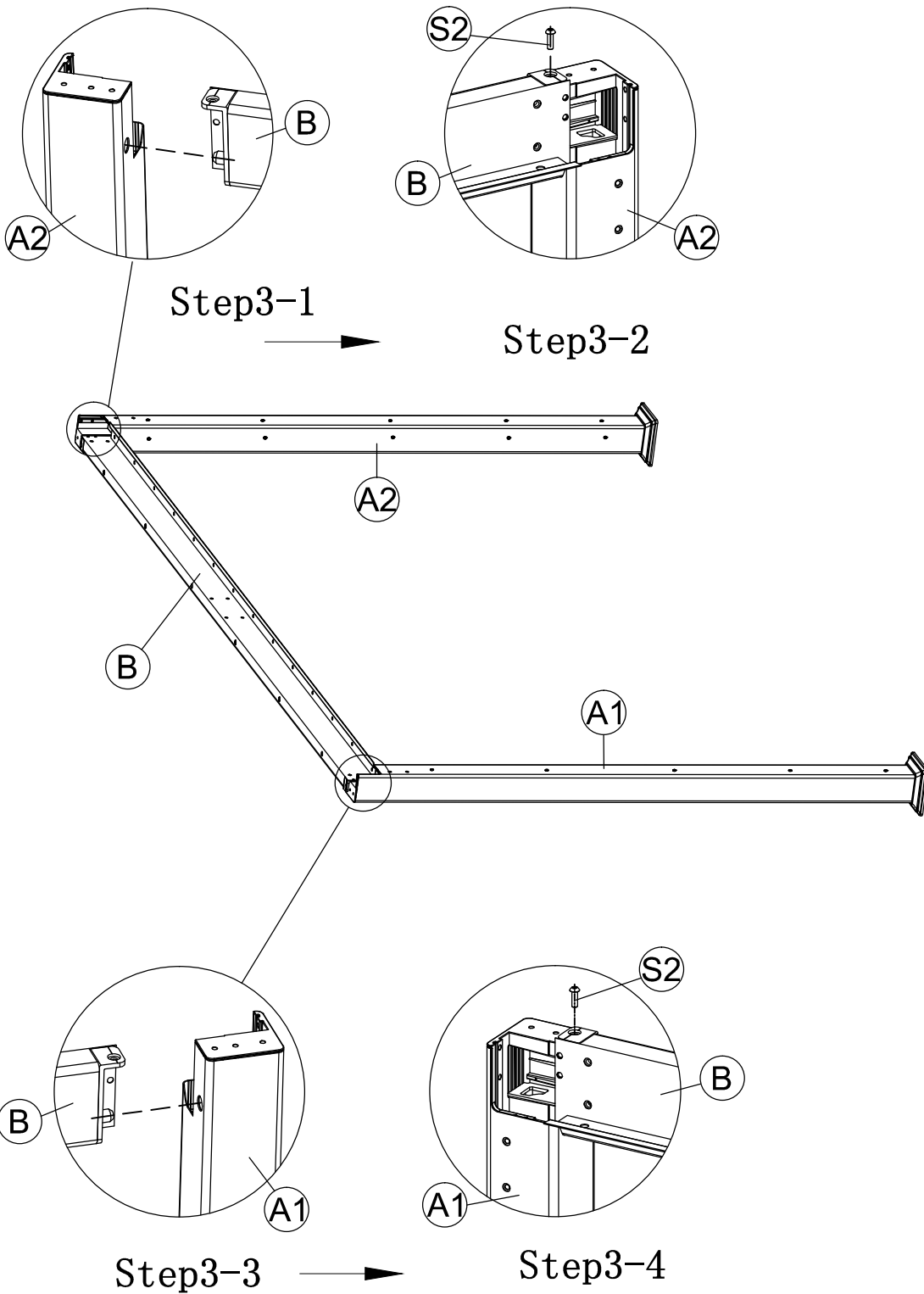


- |   |                          |         |   |        |
|---|--------------------------|---------|---|--------|
|  | <input type="checkbox"/> | (2X) A1 |  | (4X) H |
|  | <input type="checkbox"/> | (2X) A2 |  | (4X) J |
|  |                          | M6*15   | (16X) S1  |        |

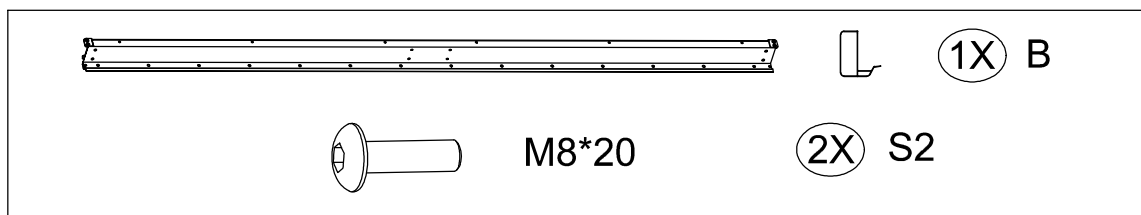
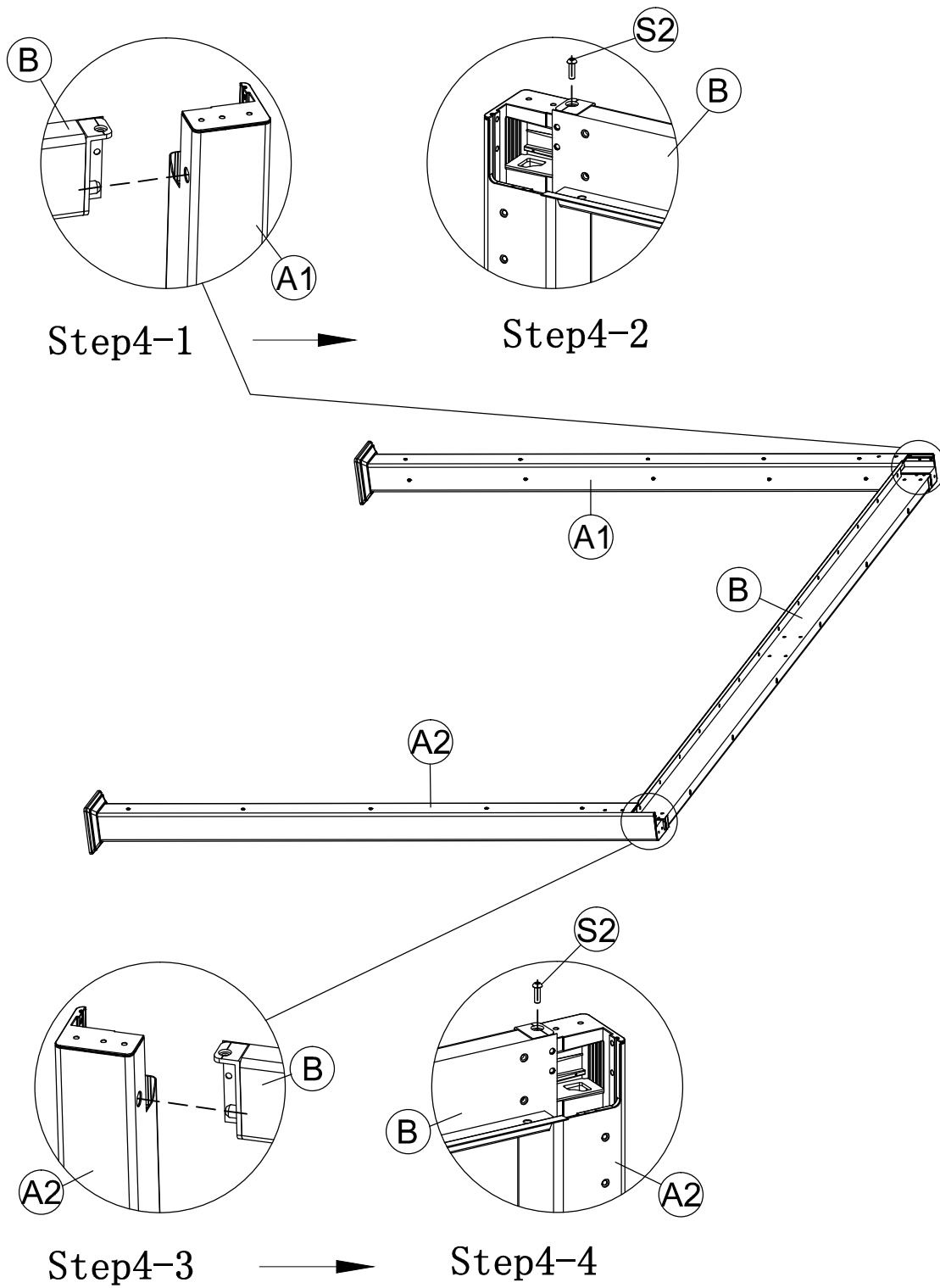
STEP 02



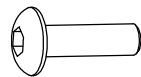
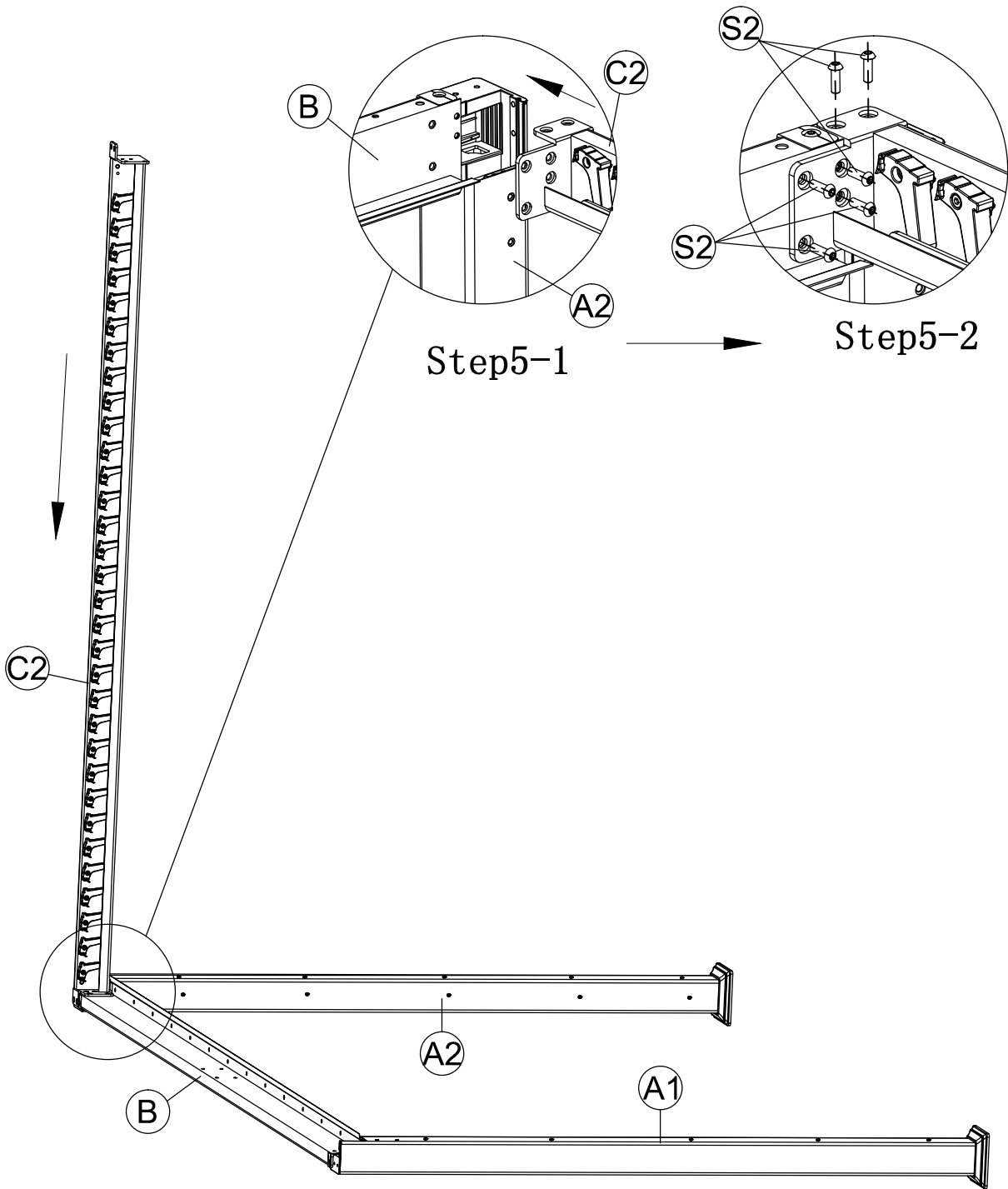
**STEP 03**



**STEP 04**



**STEP 05**



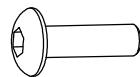
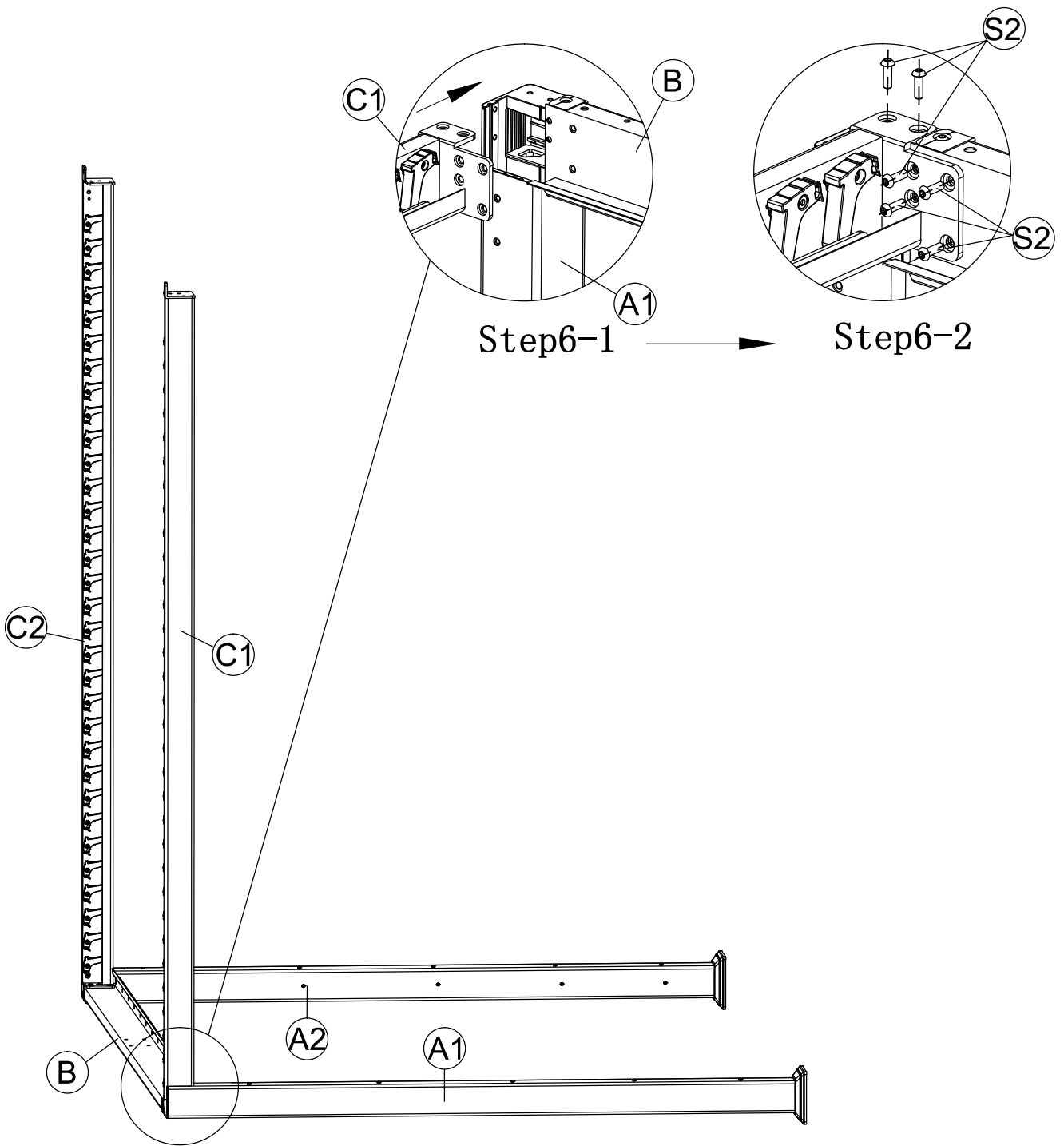
M8\*20

6X

S2



**STEP 06**

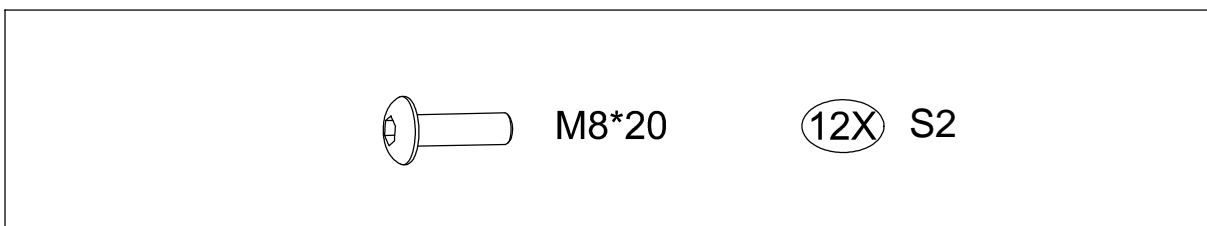
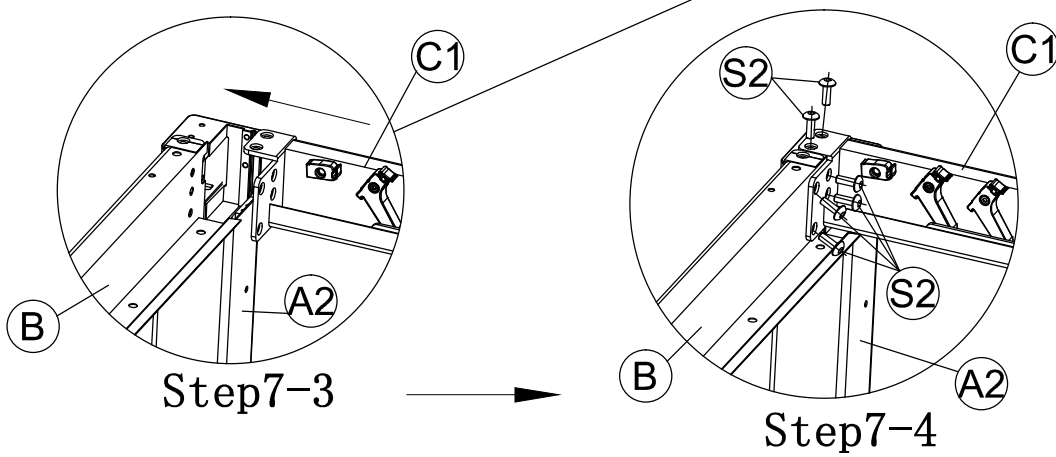
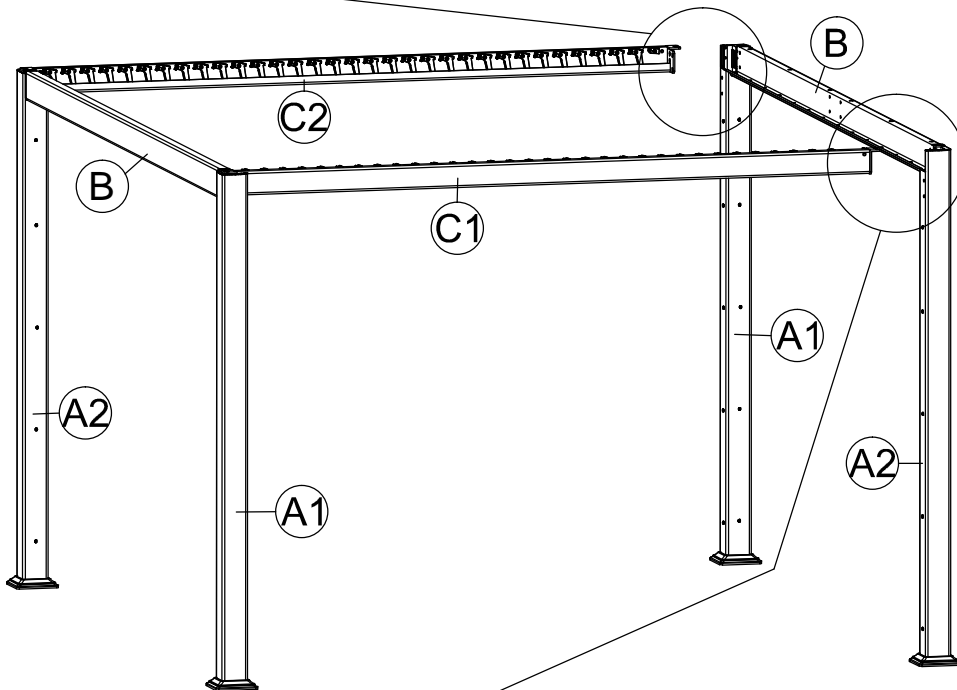
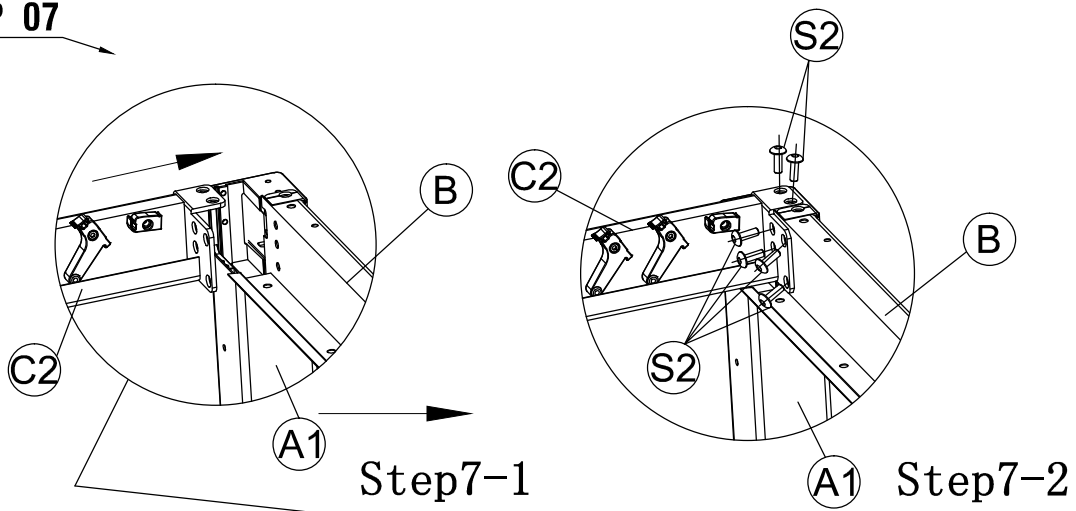


M8\*20

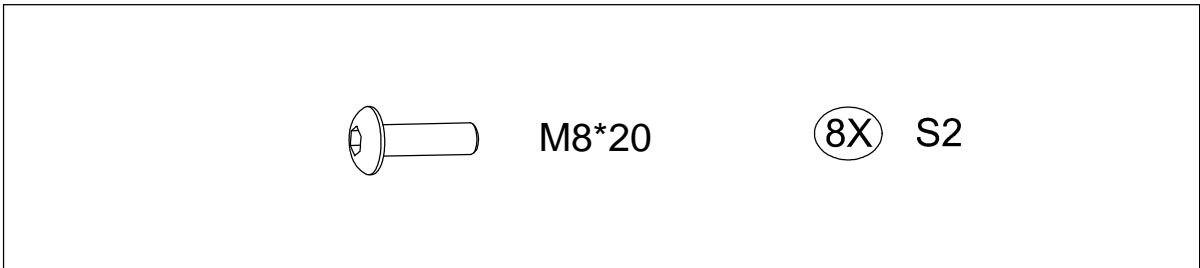
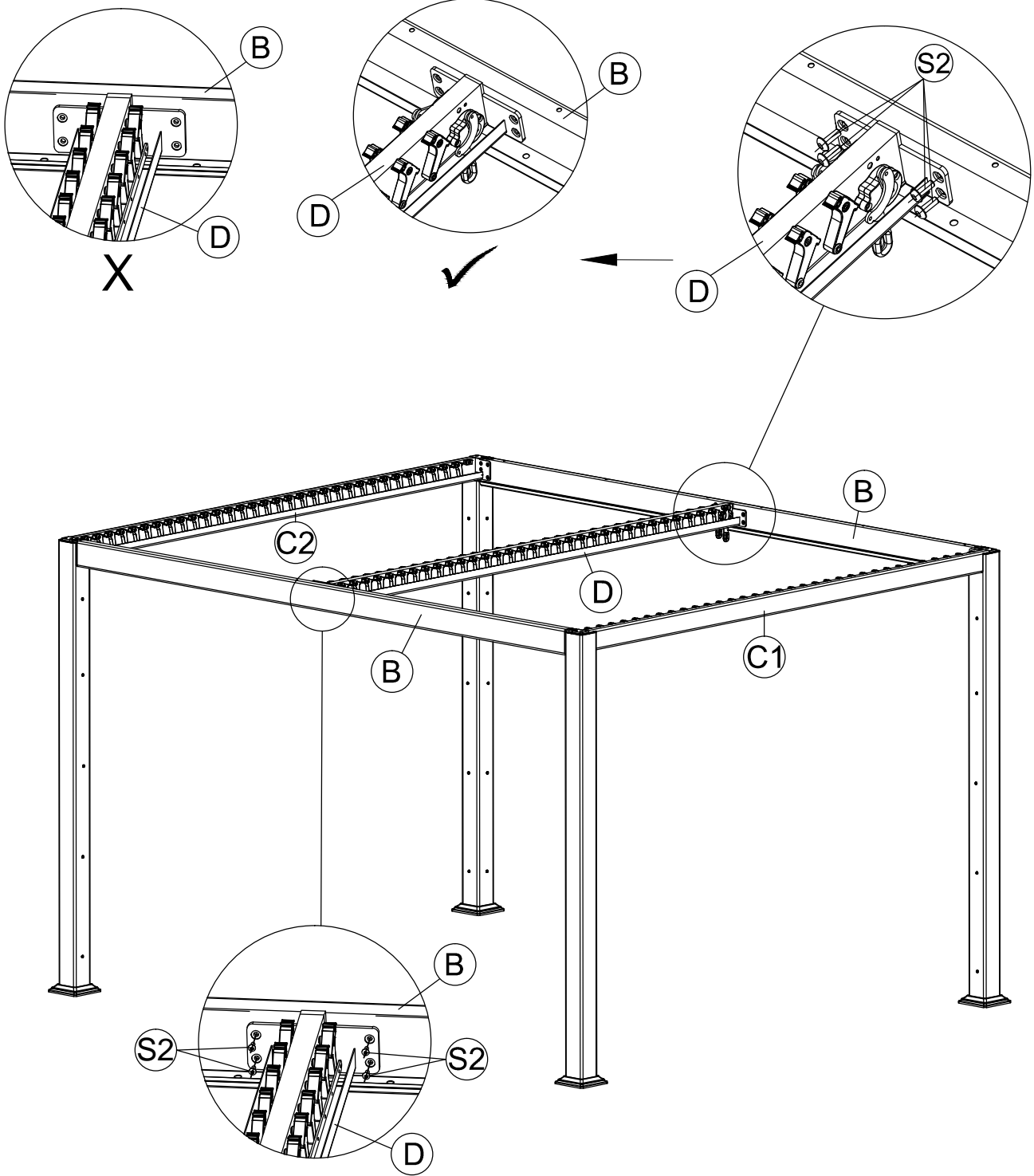
6X

S2

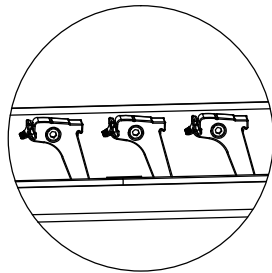
**STEP 07**



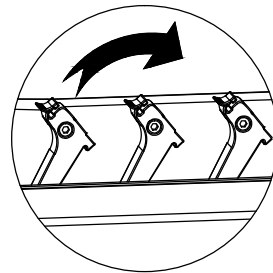
**STEP 08**



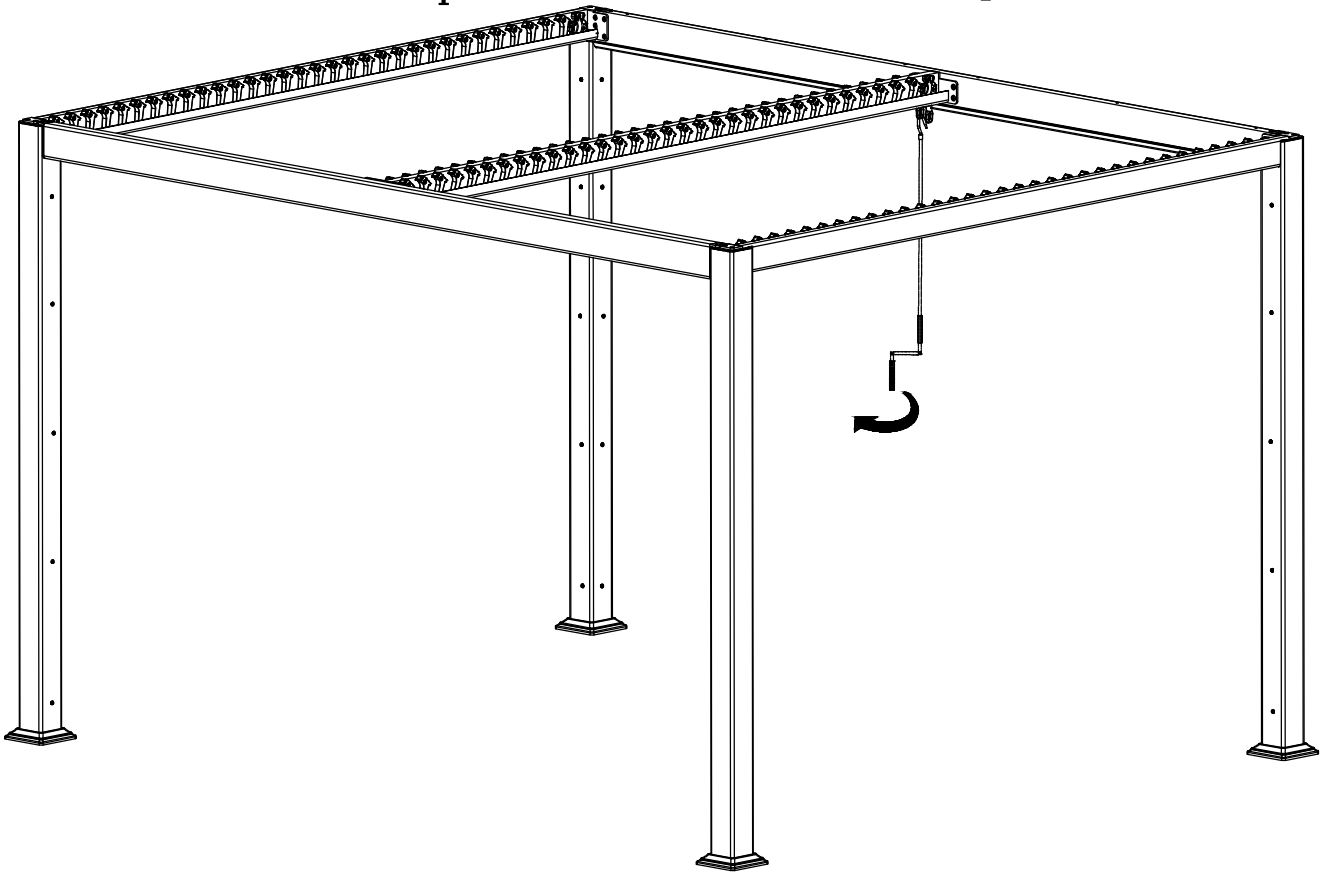
**STEP 09**



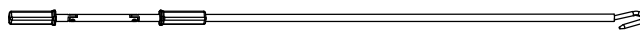
Step9-1



Step9-2

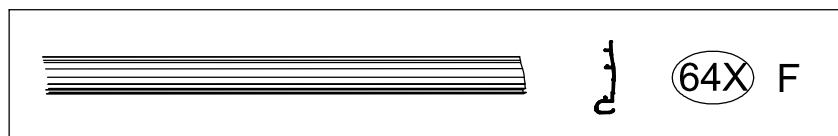
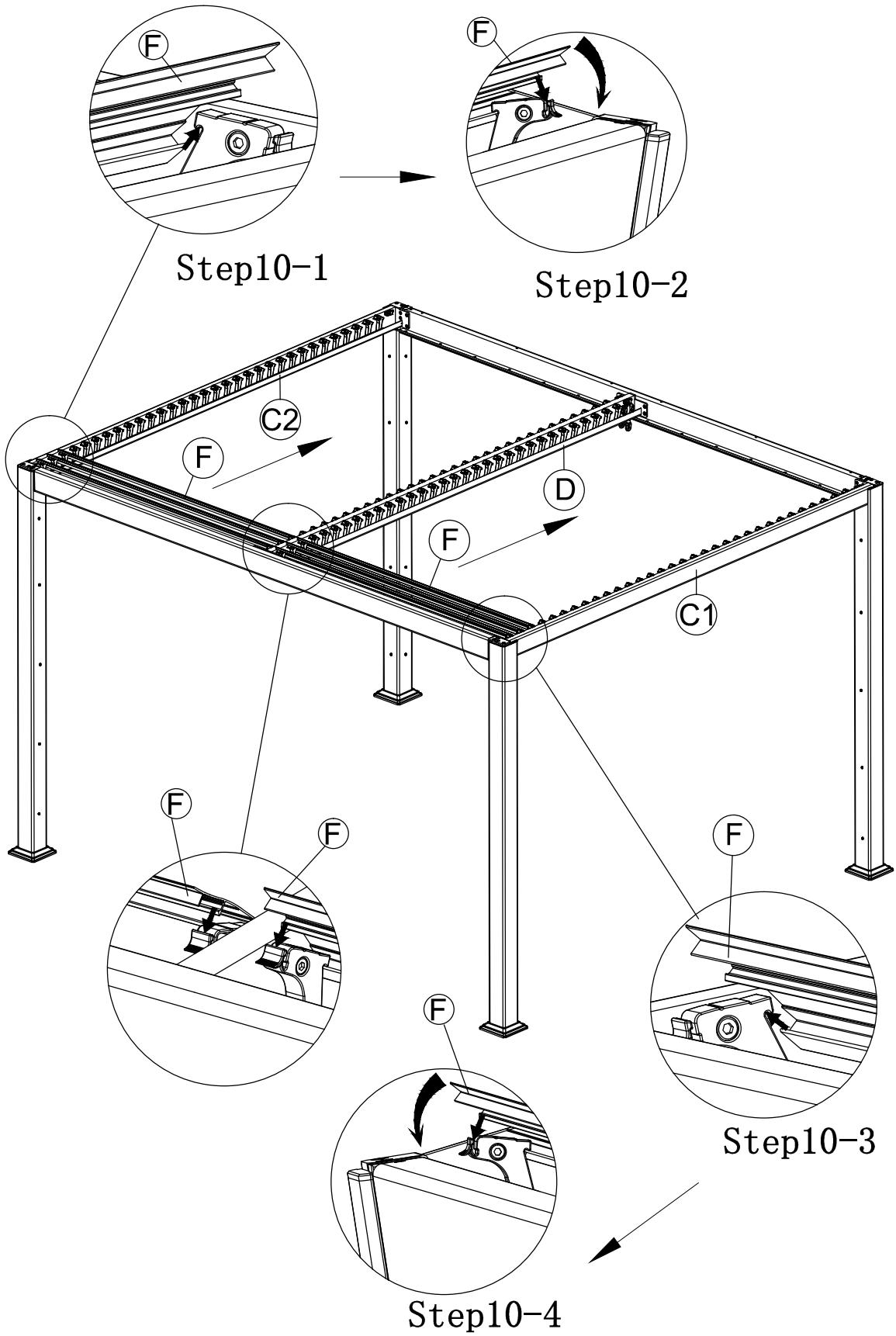


Turn the position from picture 1 to picture 2 first, then assemble the shutter.

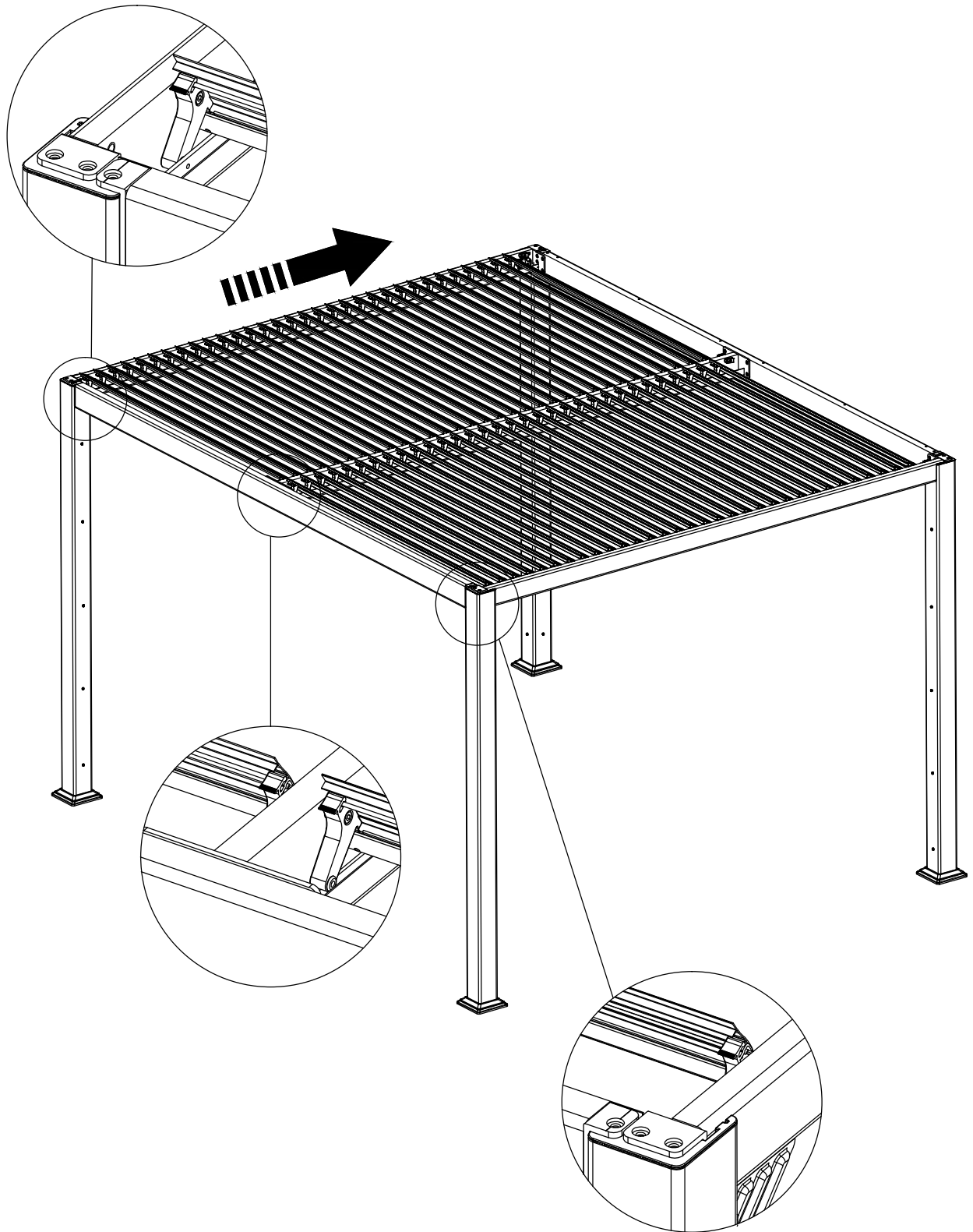


1X R

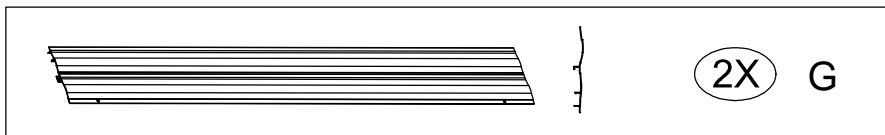
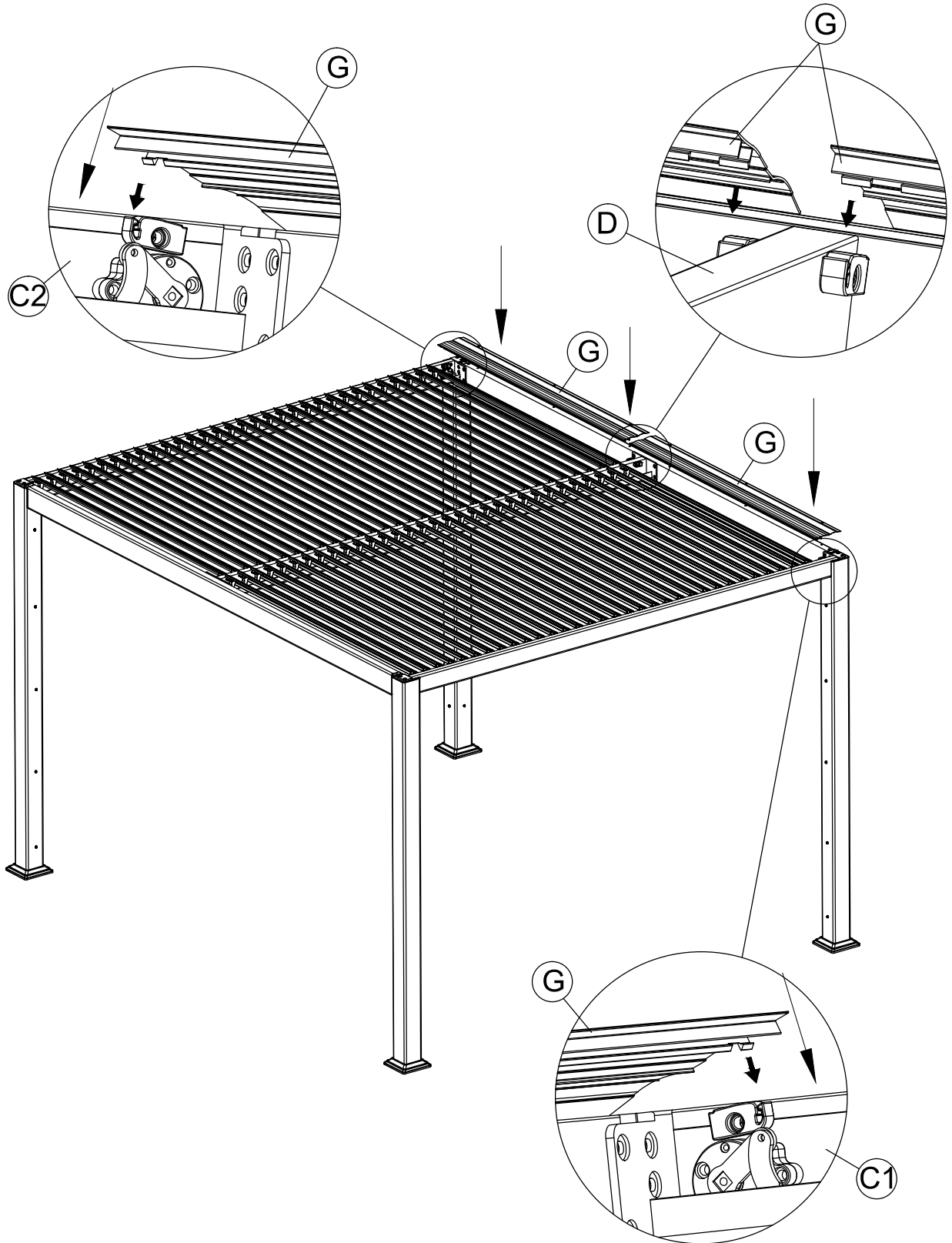
**STEP 10**



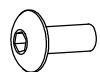
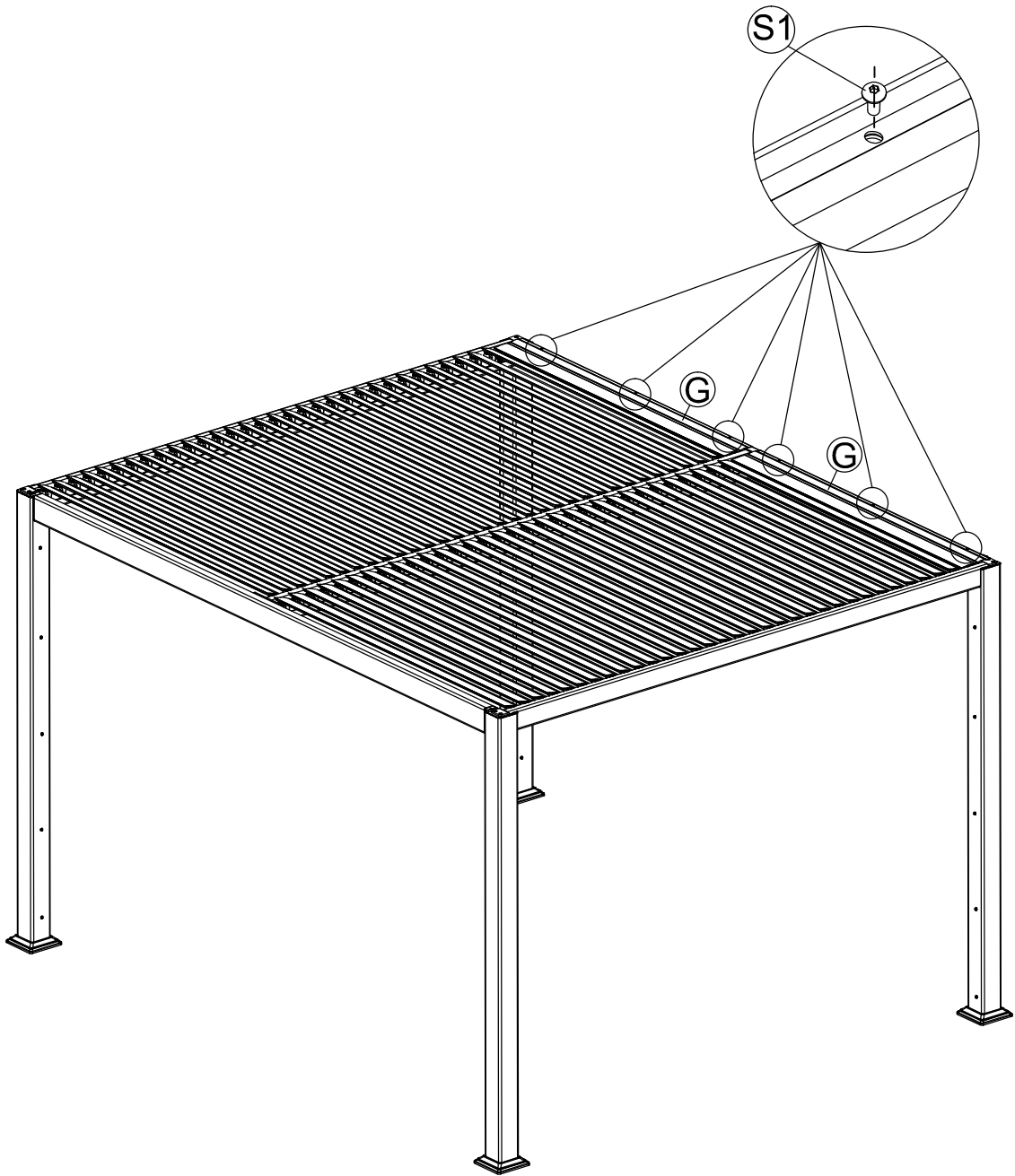
**STEP 11**



**STEP 12**



**STEP 13**



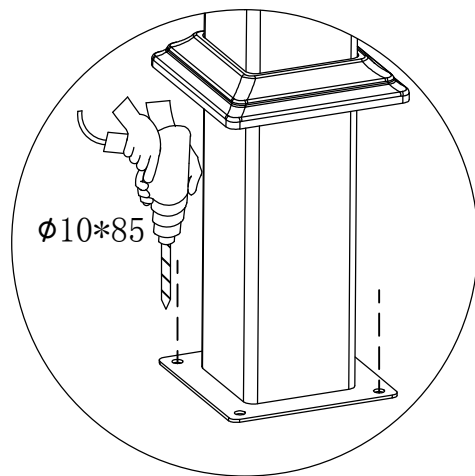
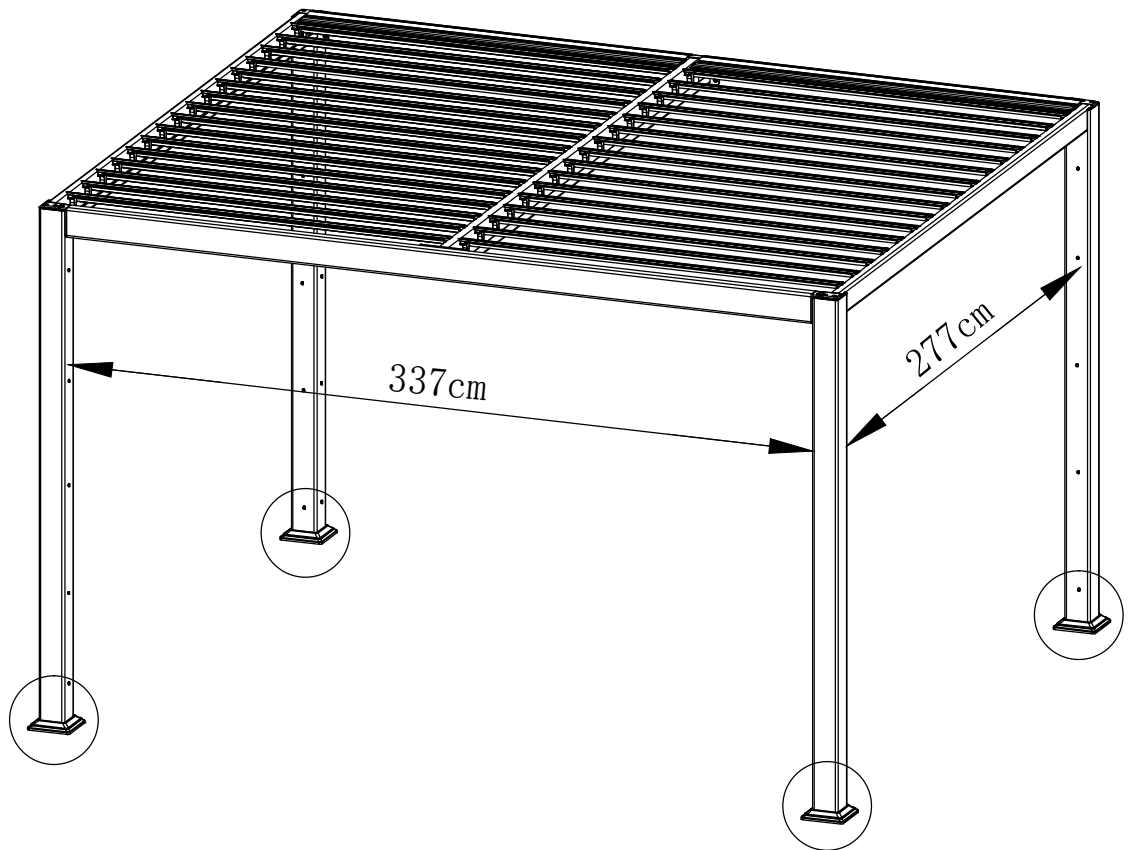
M6\*15

6X

S1



**STEP 14**



**STEP 15**

