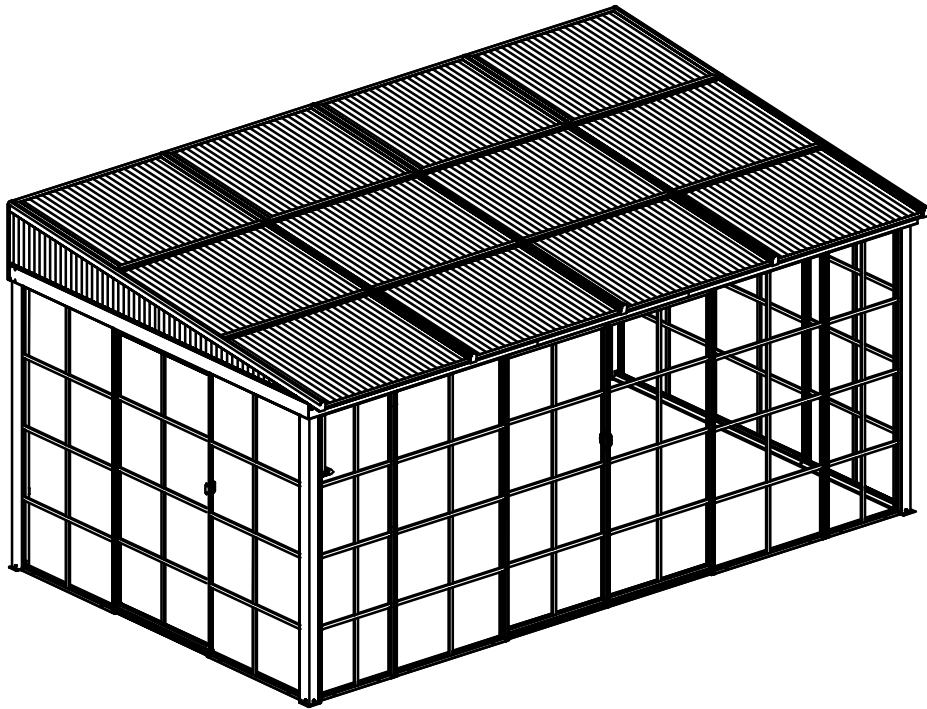
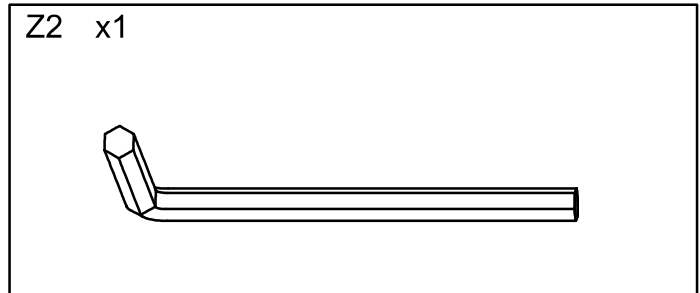
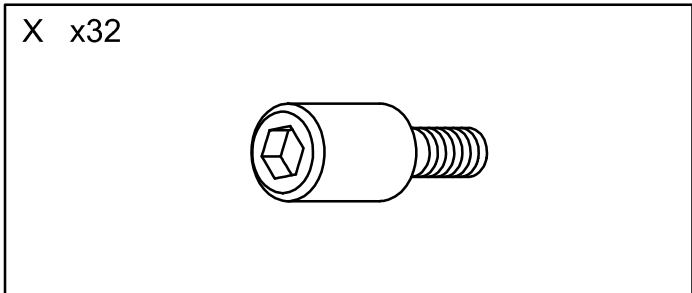
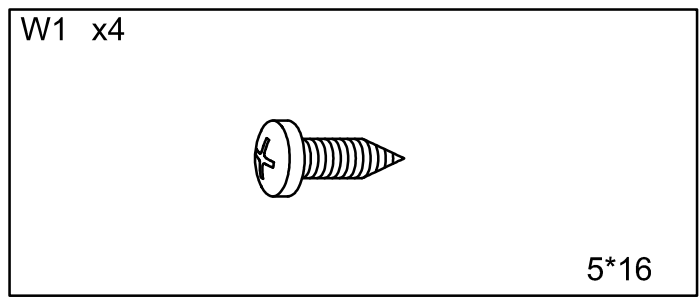
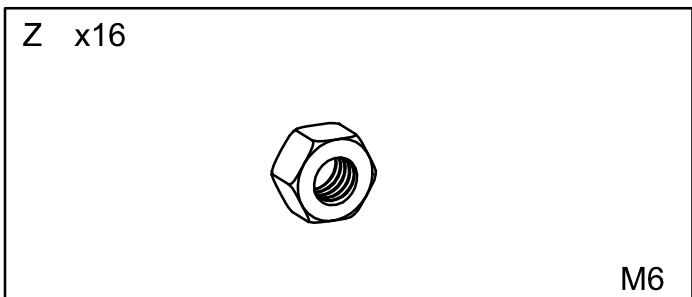
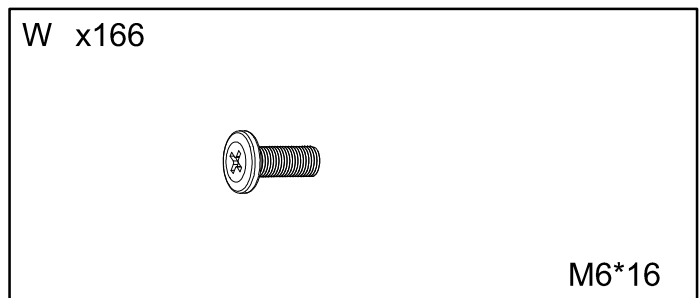
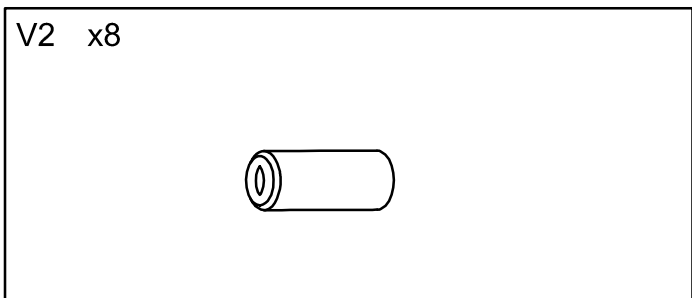
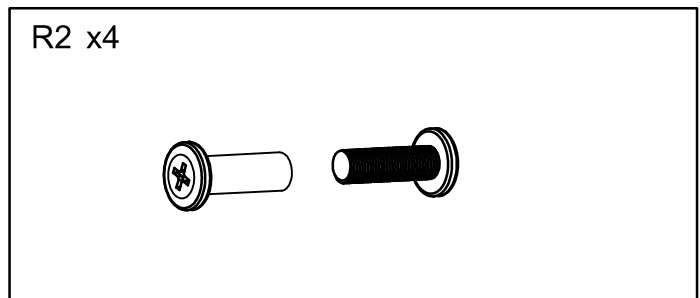
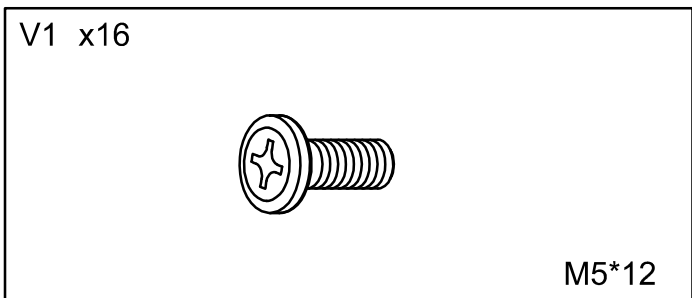
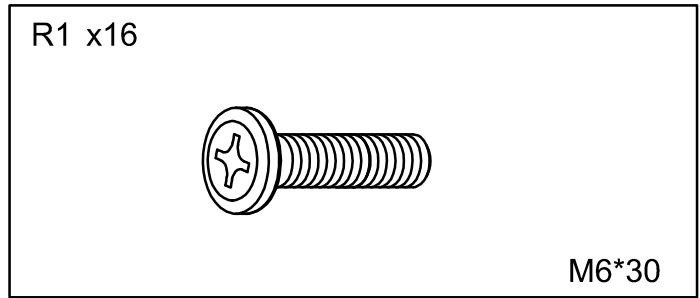
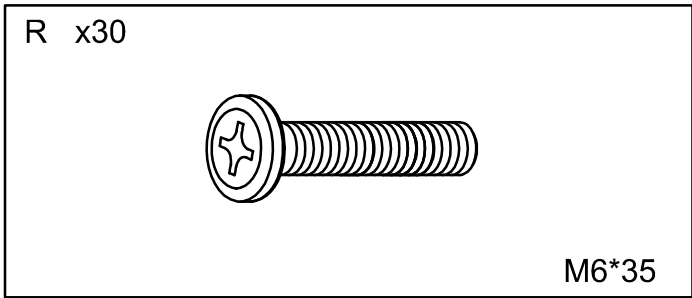
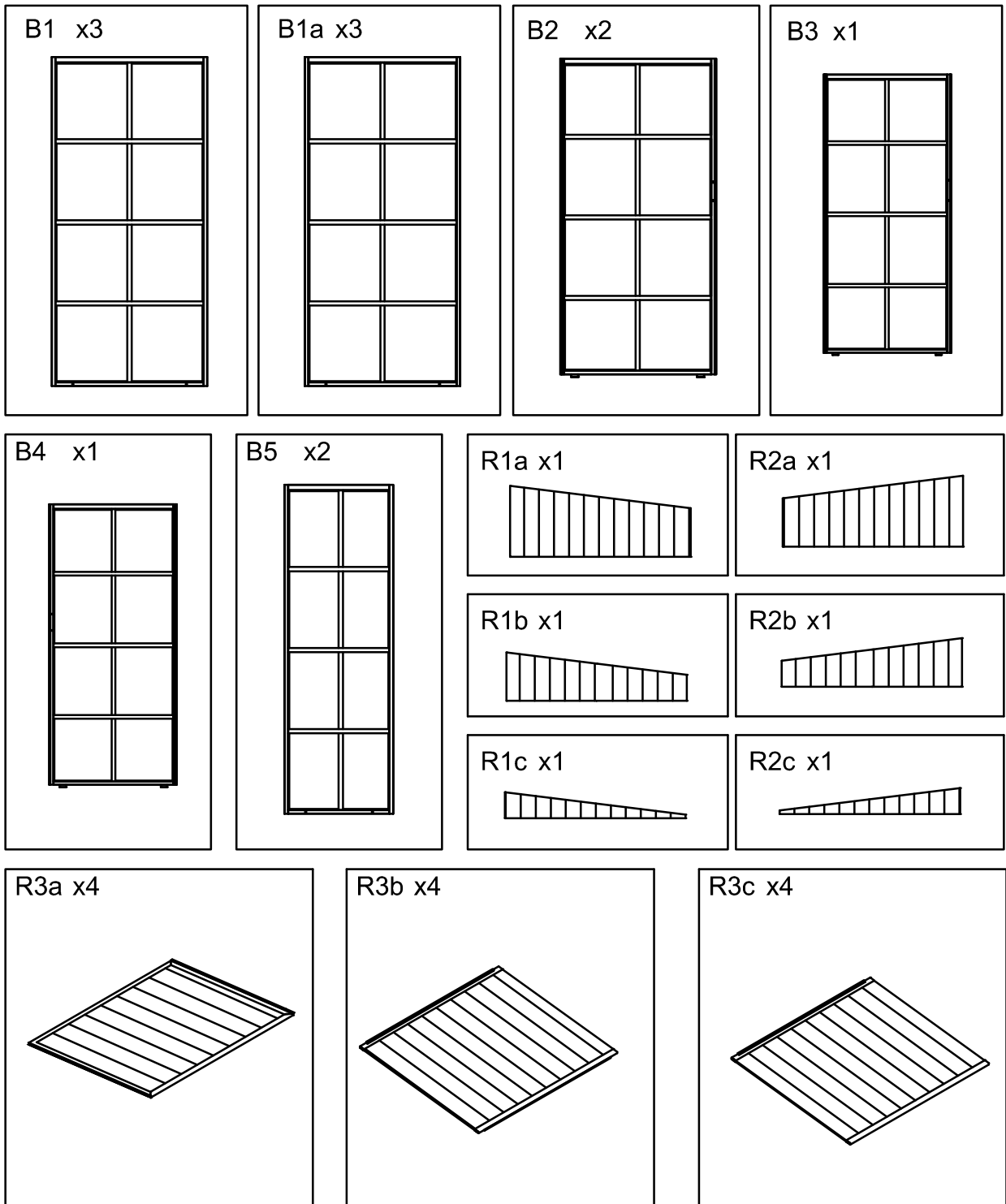


*Kingdom Teak*   
[www.kingdomteak.co.uk](http://www.kingdomteak.co.uk)

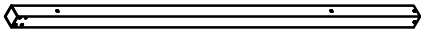


**3 X 4.8 WALL SCREEN HOUSE**





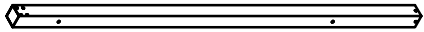
A x1



E x2



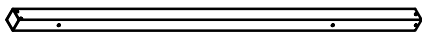
A1 x1



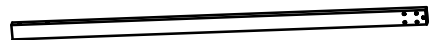
E1 x1



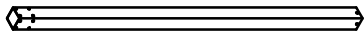
A2 x1



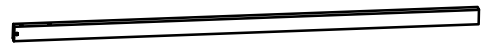
E2 x1



B x2



E3 x1



C x1



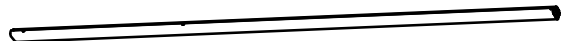
E4 x1



C1 x1



F x1



C2 x1



F1 x1



D x1



G x3



D1 x1



G1 x1



G2 x1



G3 x2



T1 x2



H x2



T2 x2



H1 x2



T3 x1



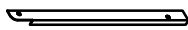
H2 x1



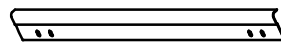
T4 x1



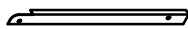
I x1



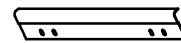
U1 x2

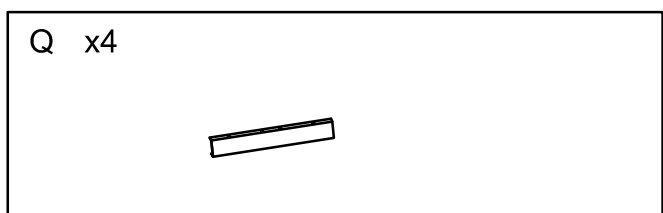
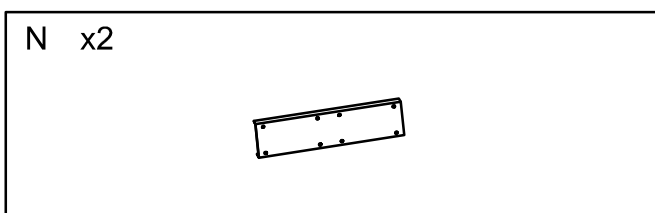
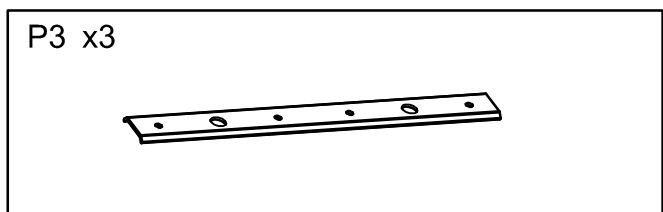
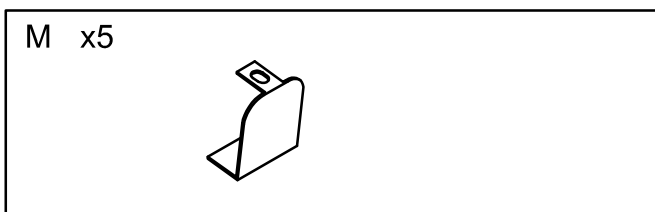
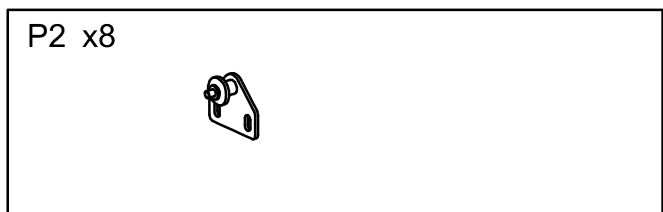
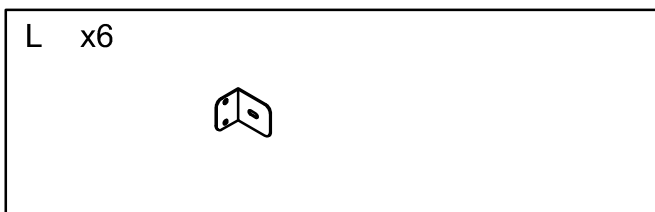
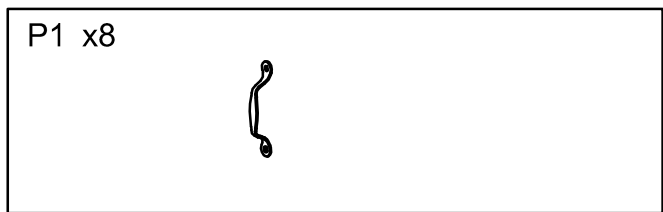
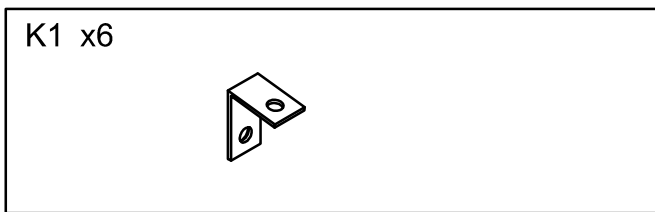
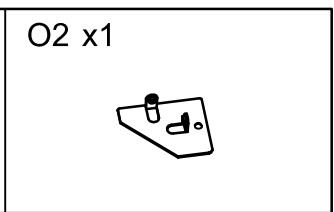
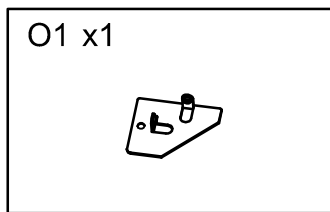
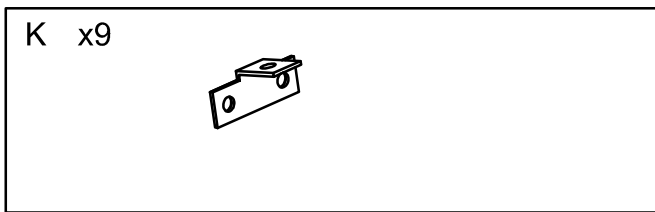
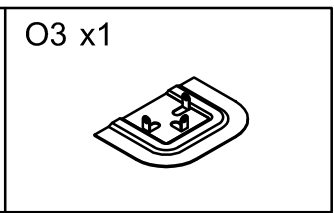
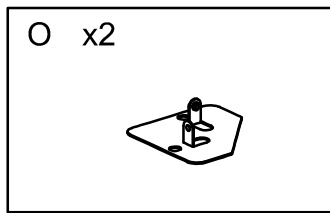
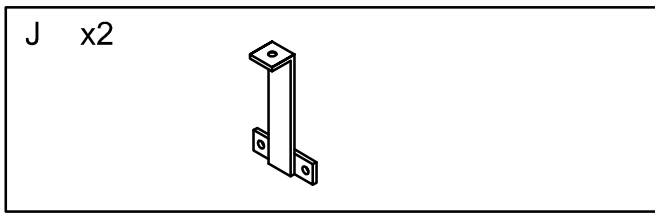


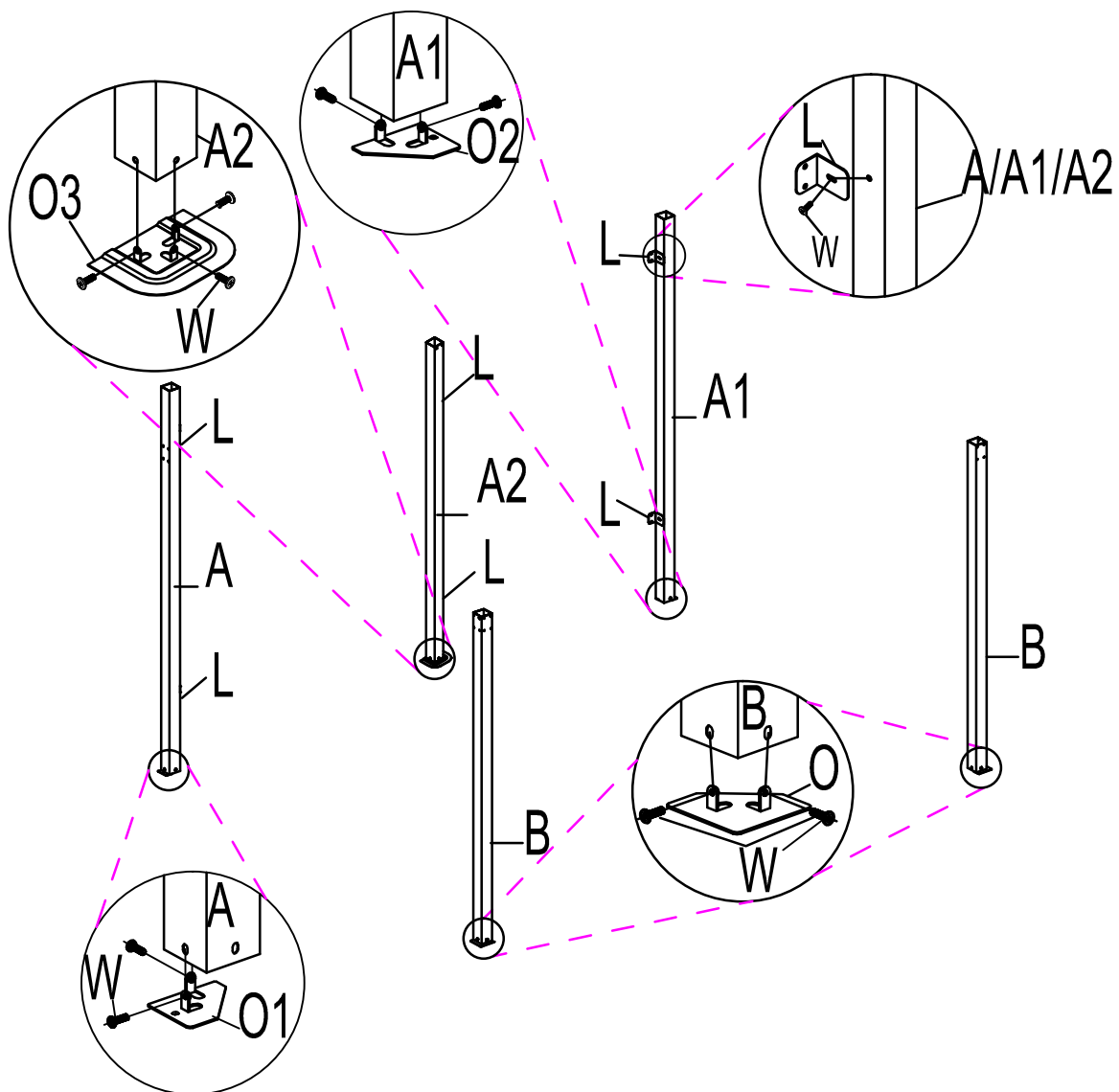
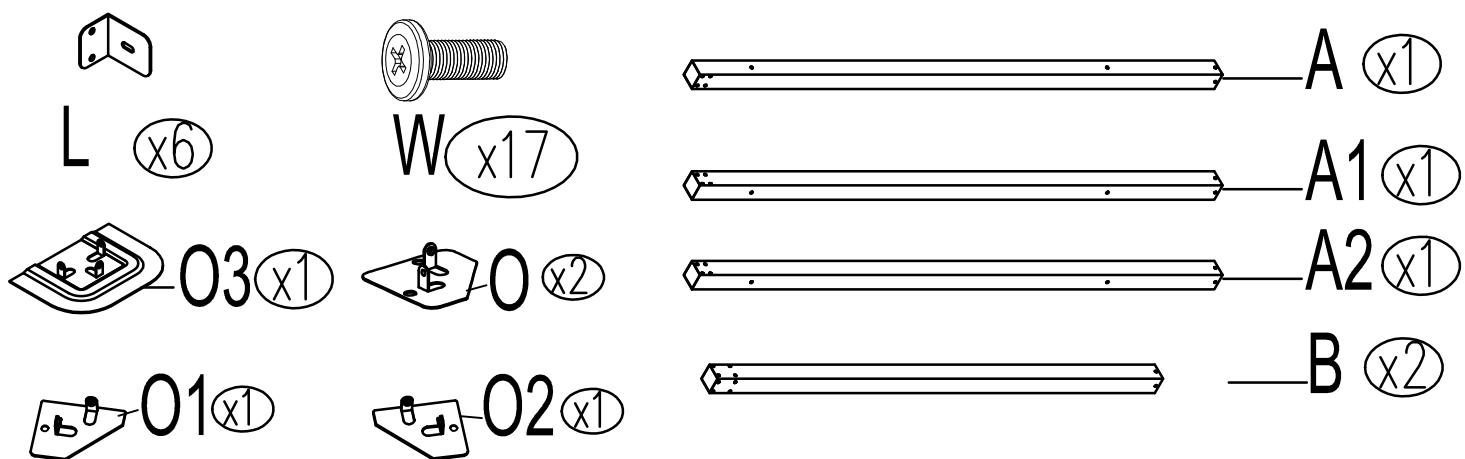
I1 x1

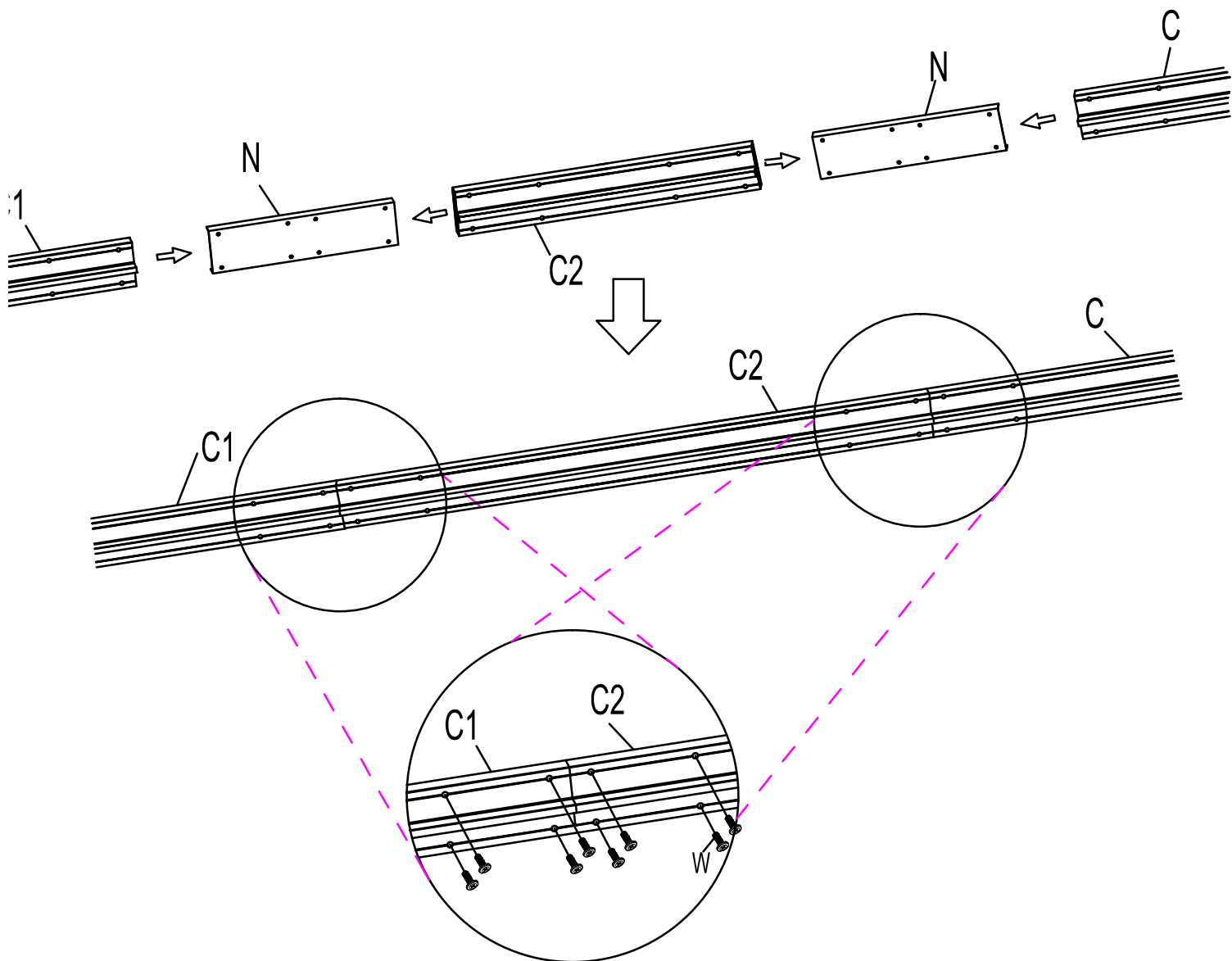
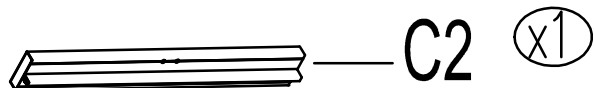
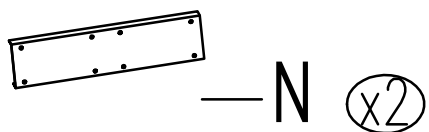
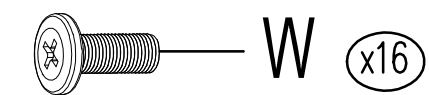


U2 x2

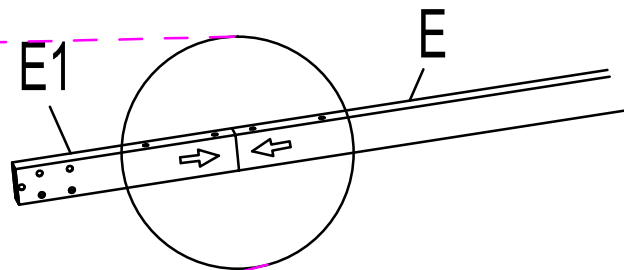
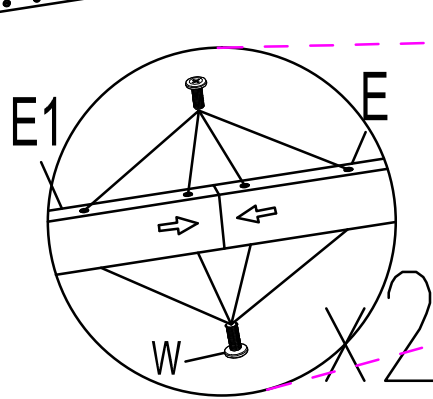
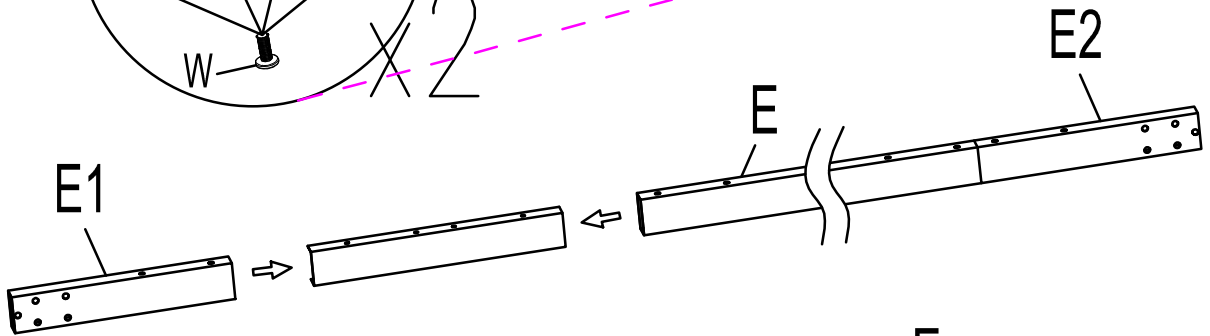
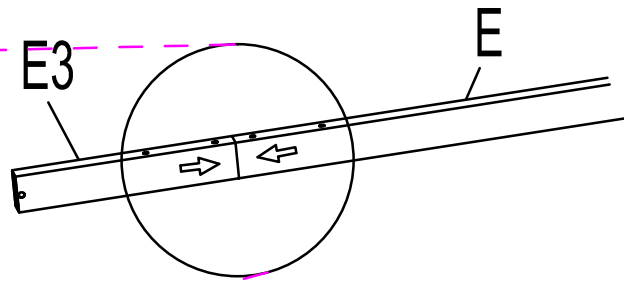
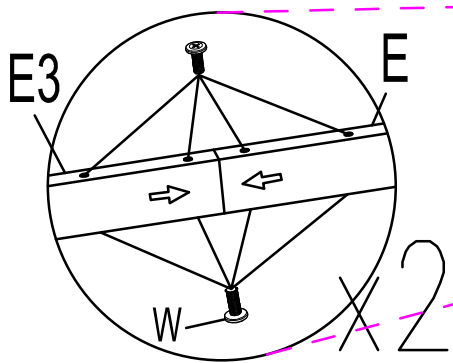
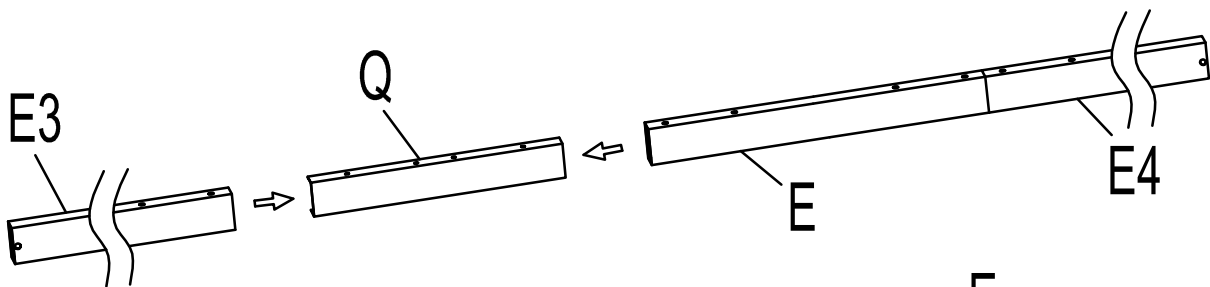
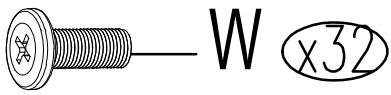


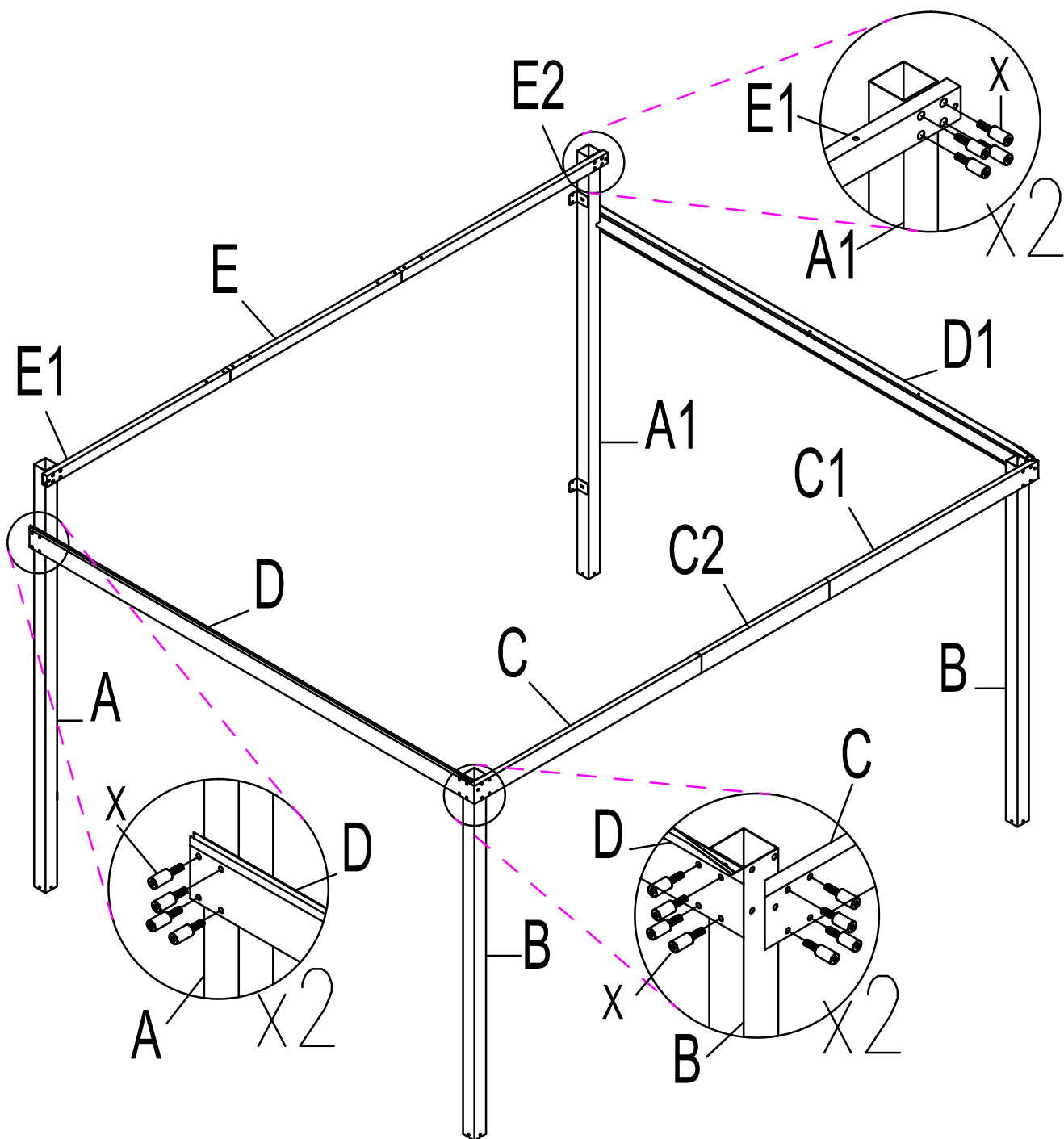
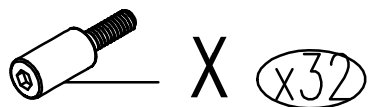


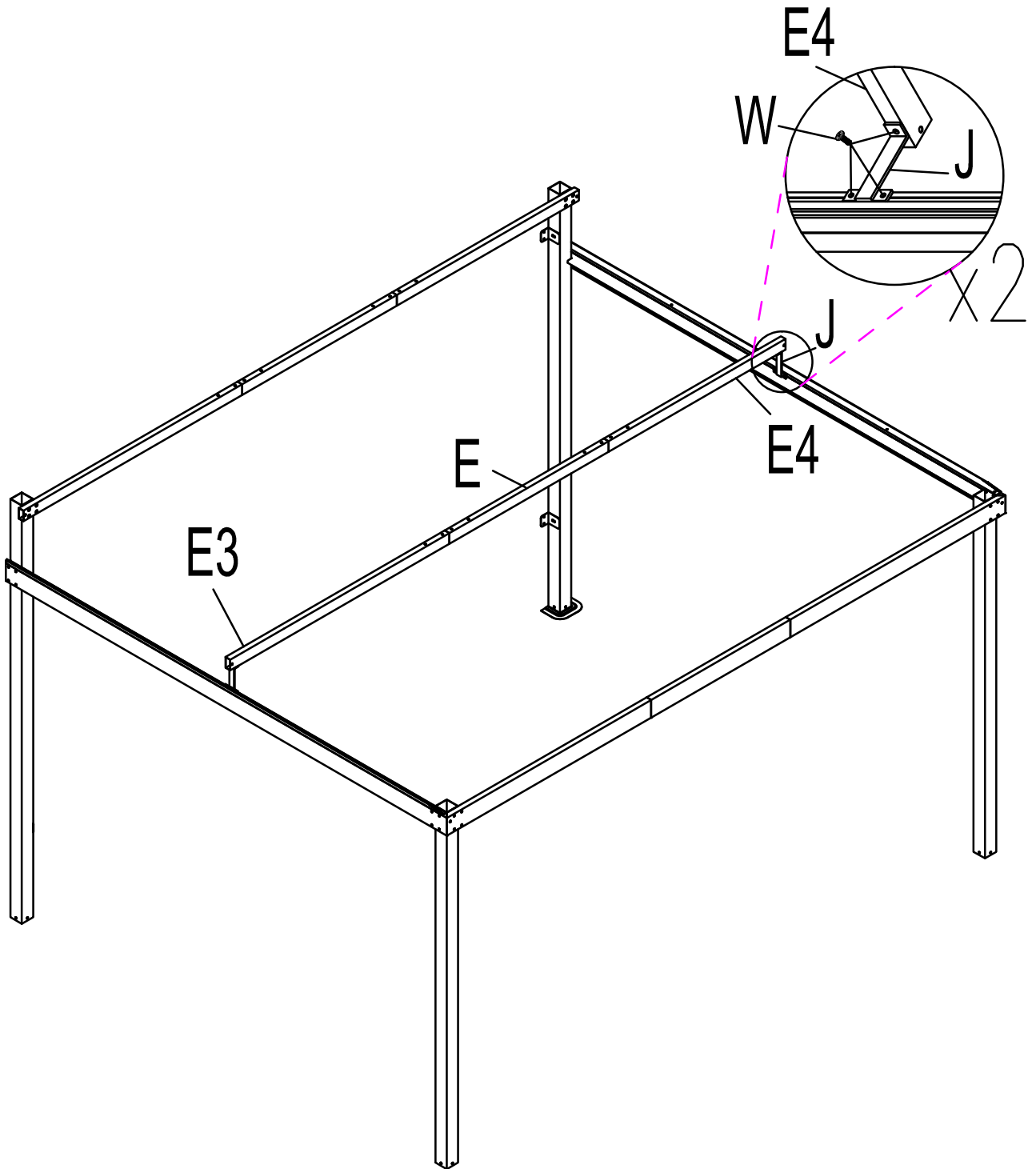
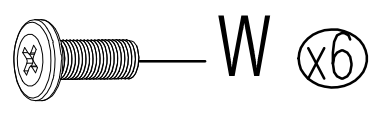
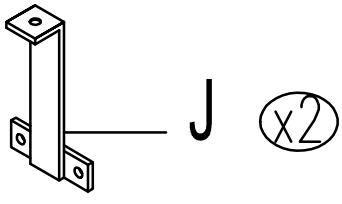


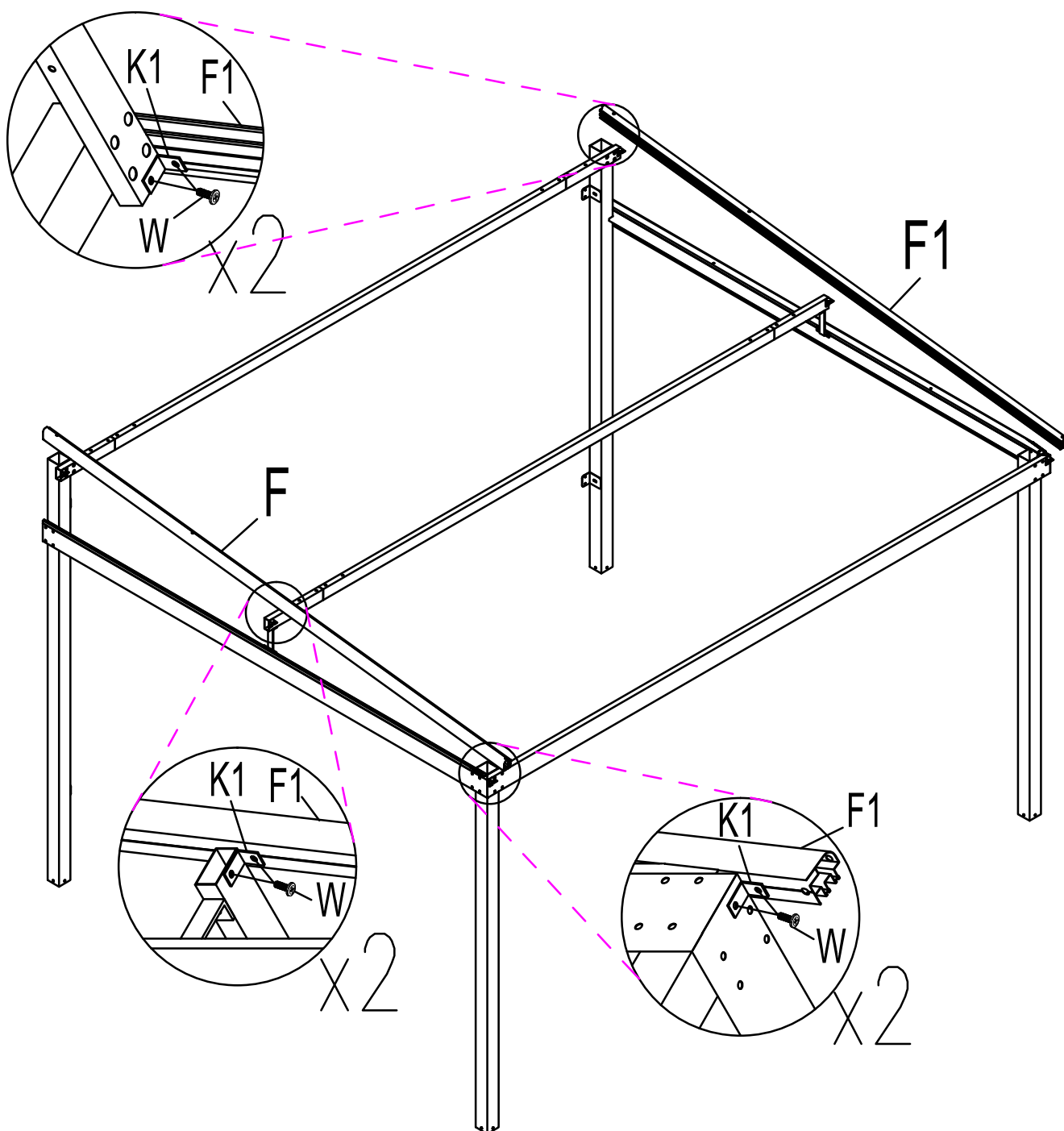
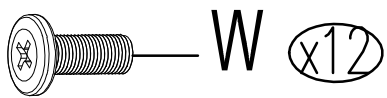
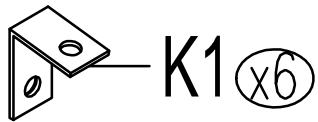


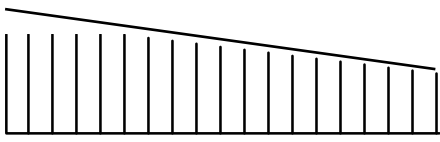




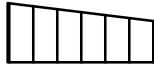




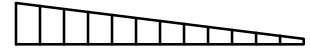




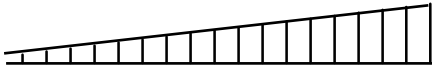
R1a (x1)



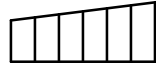
R1b (x1)



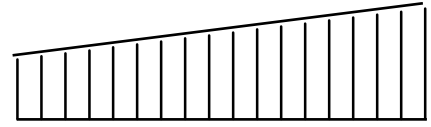
R1c (x1)



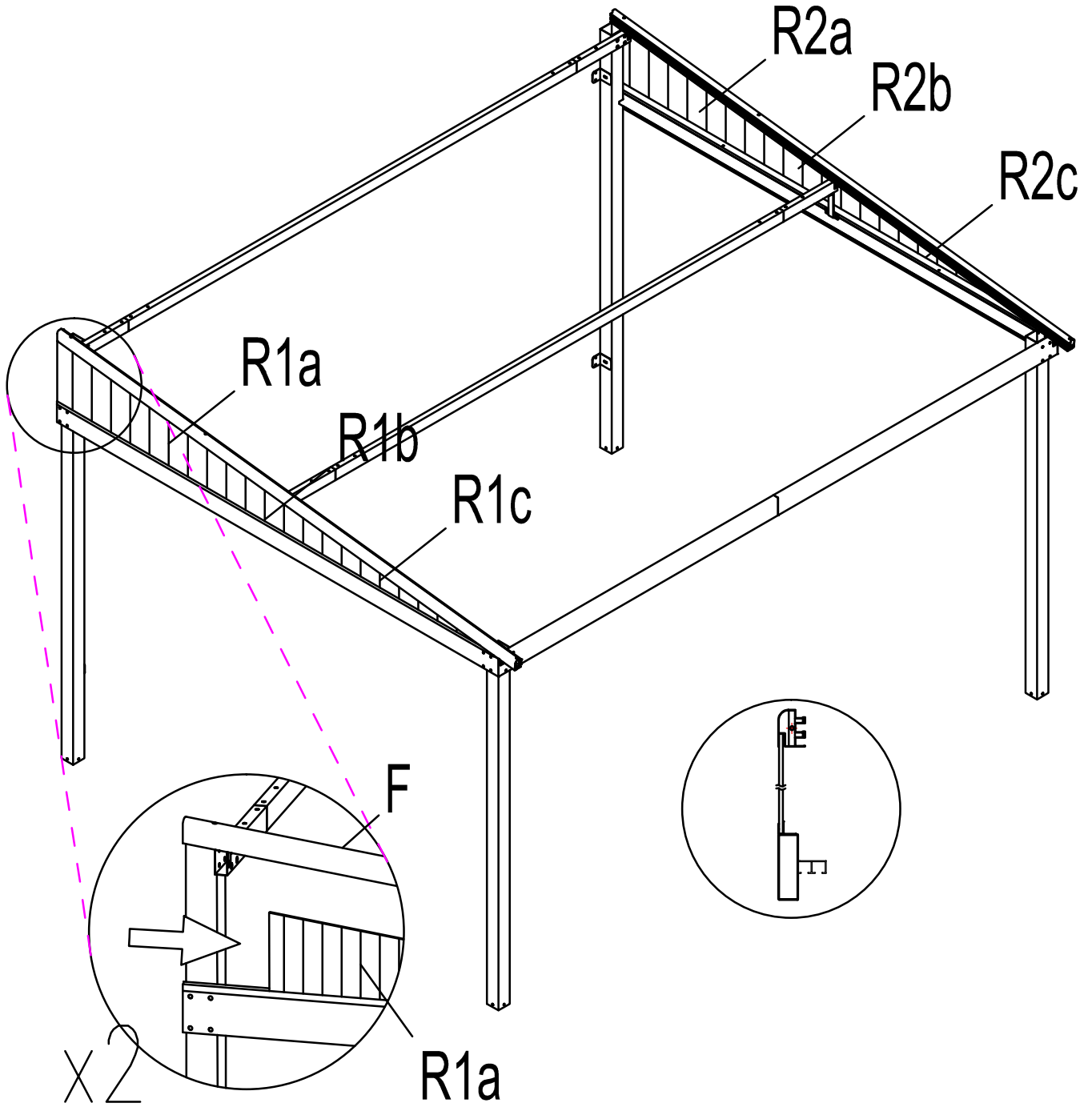
R2c (x1)

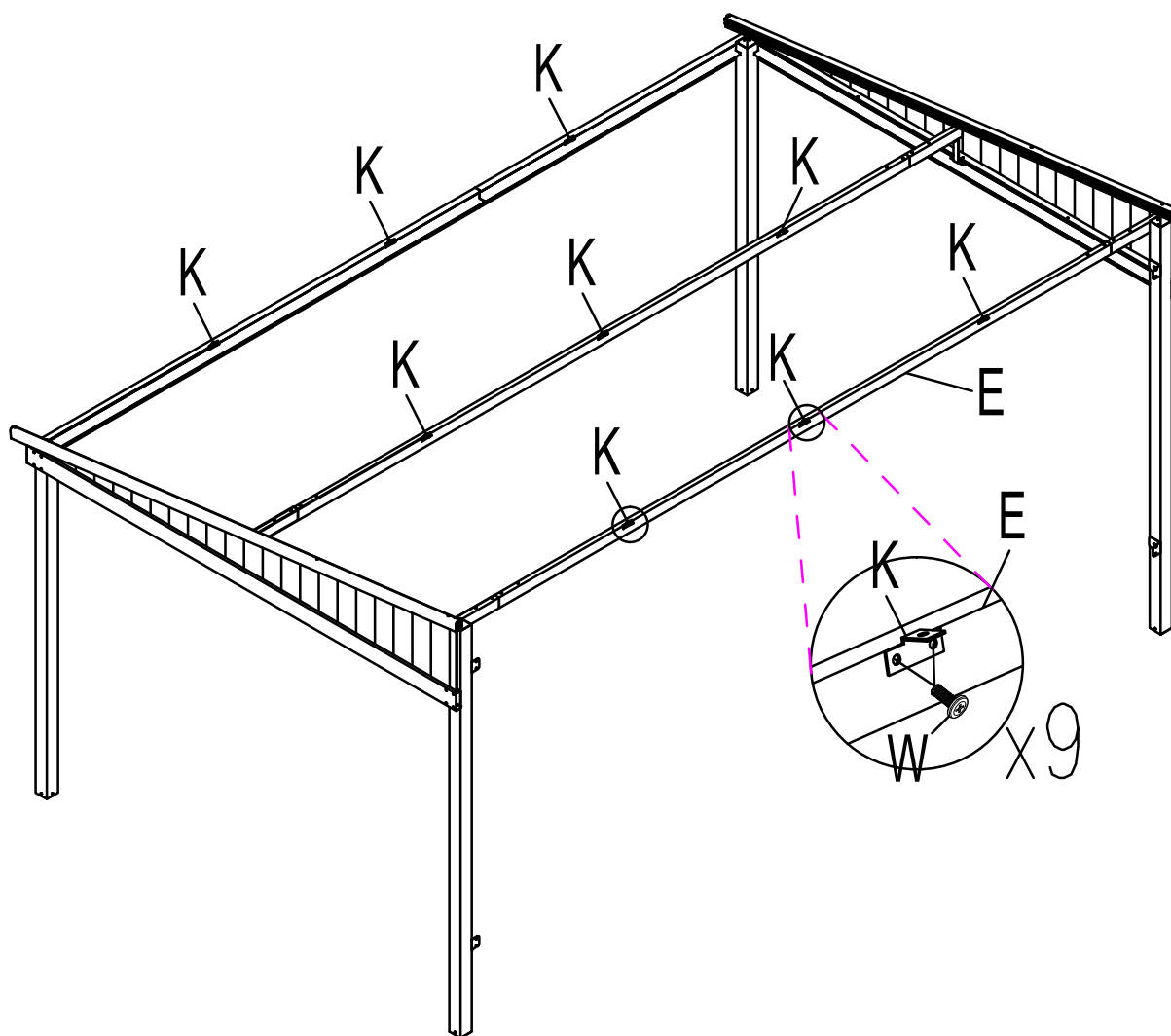
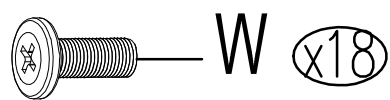
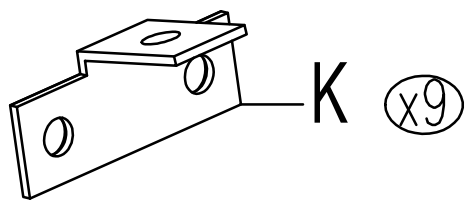


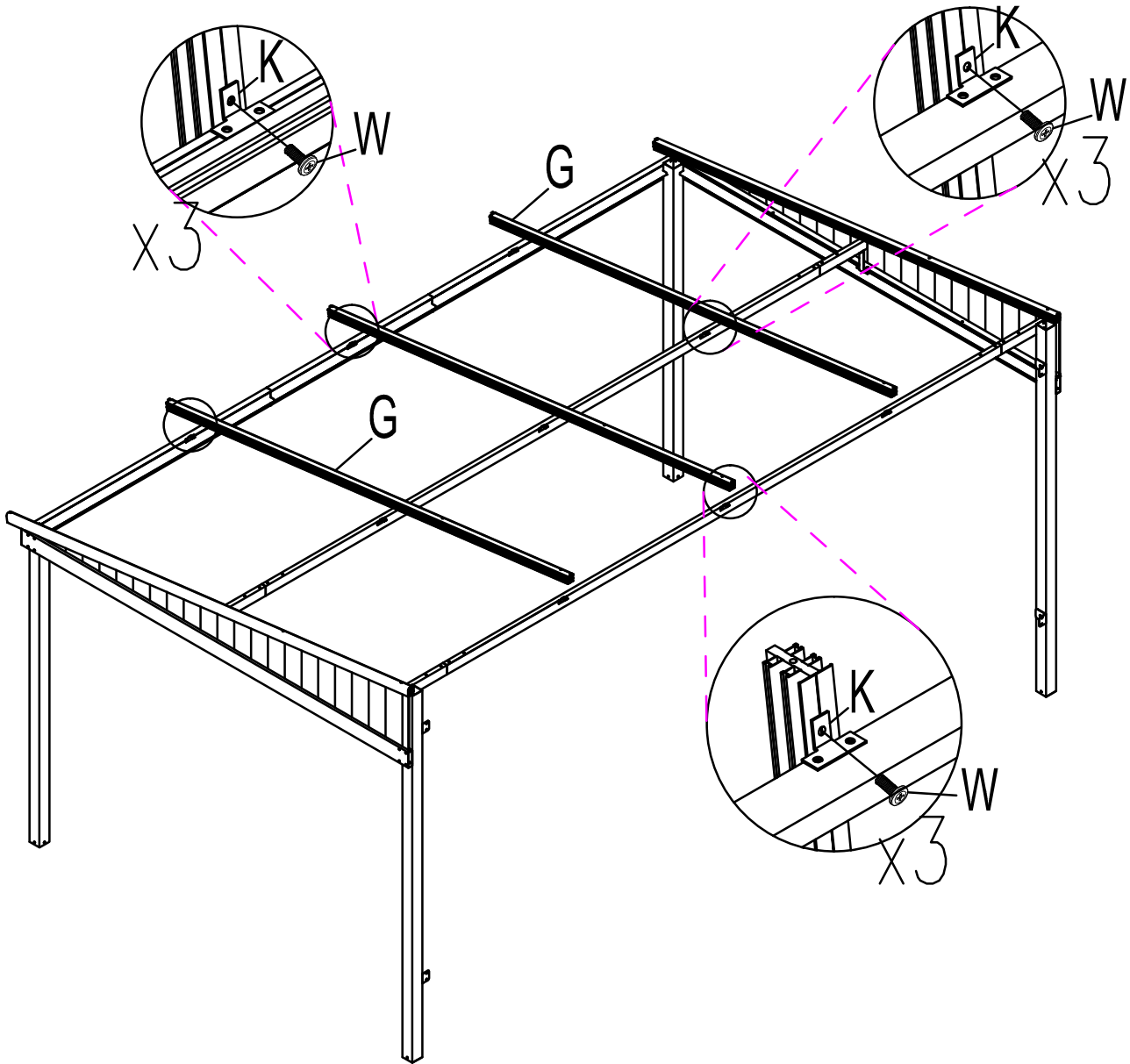
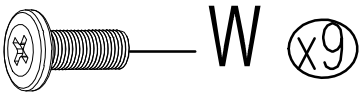
R2b (x1)

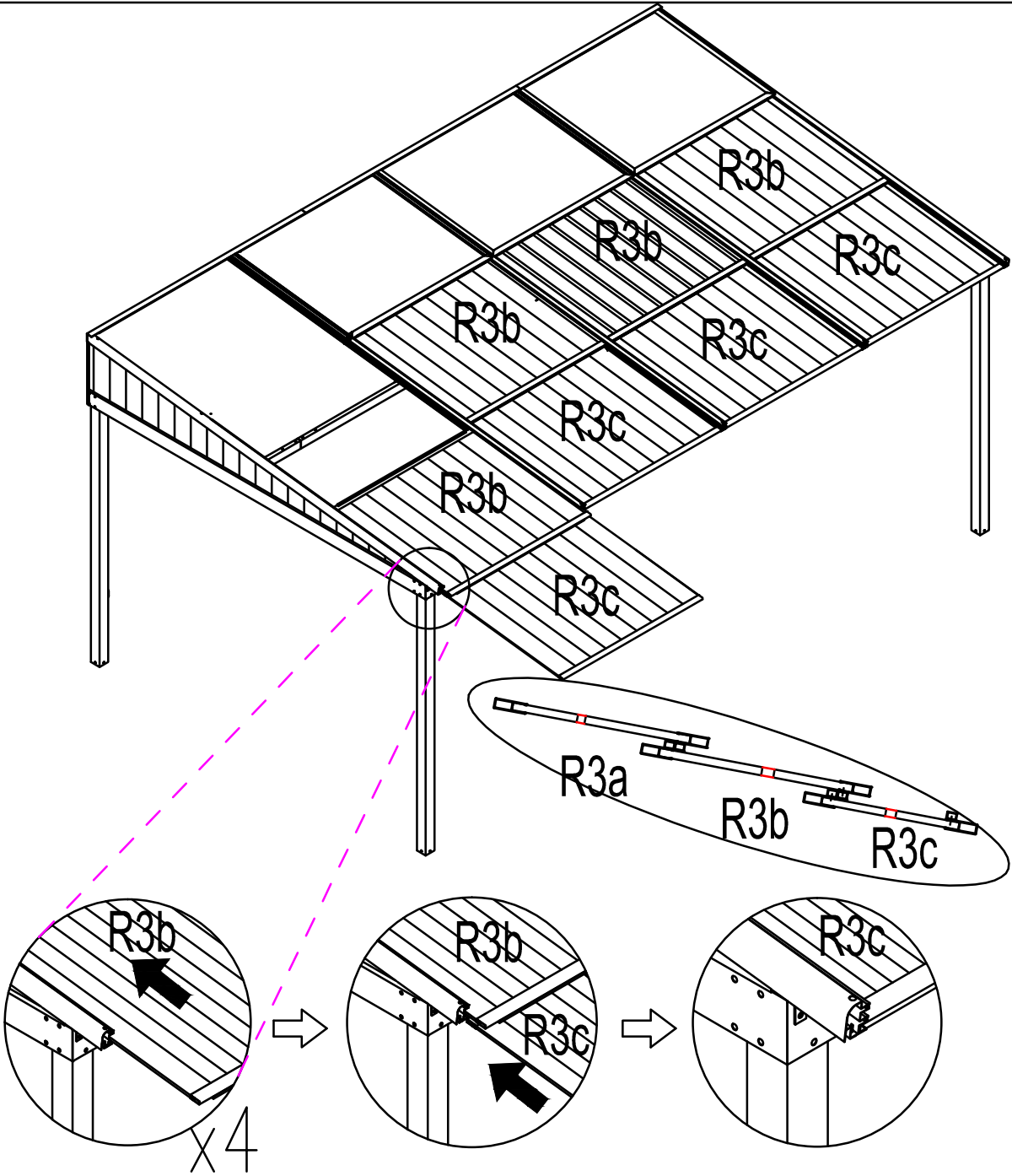
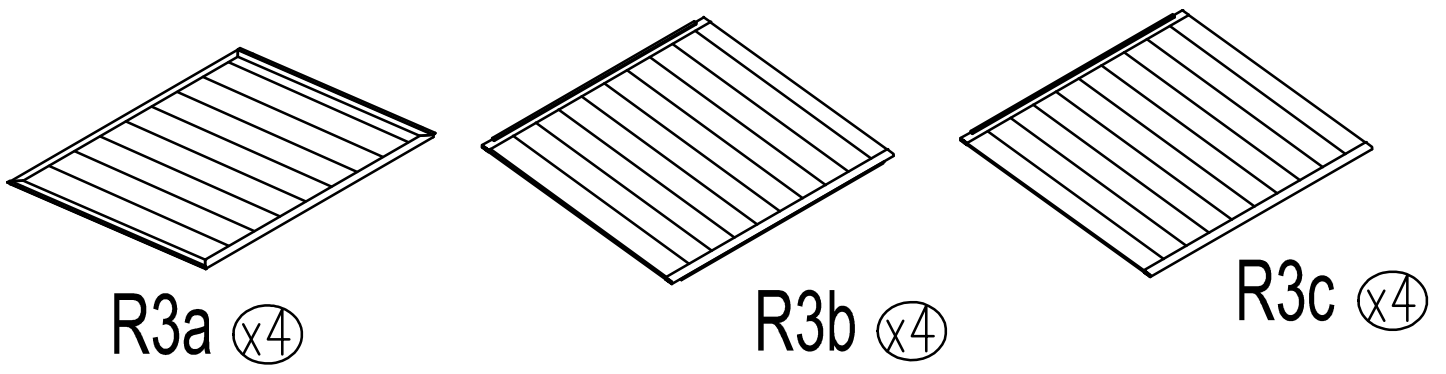


R2a (x1)

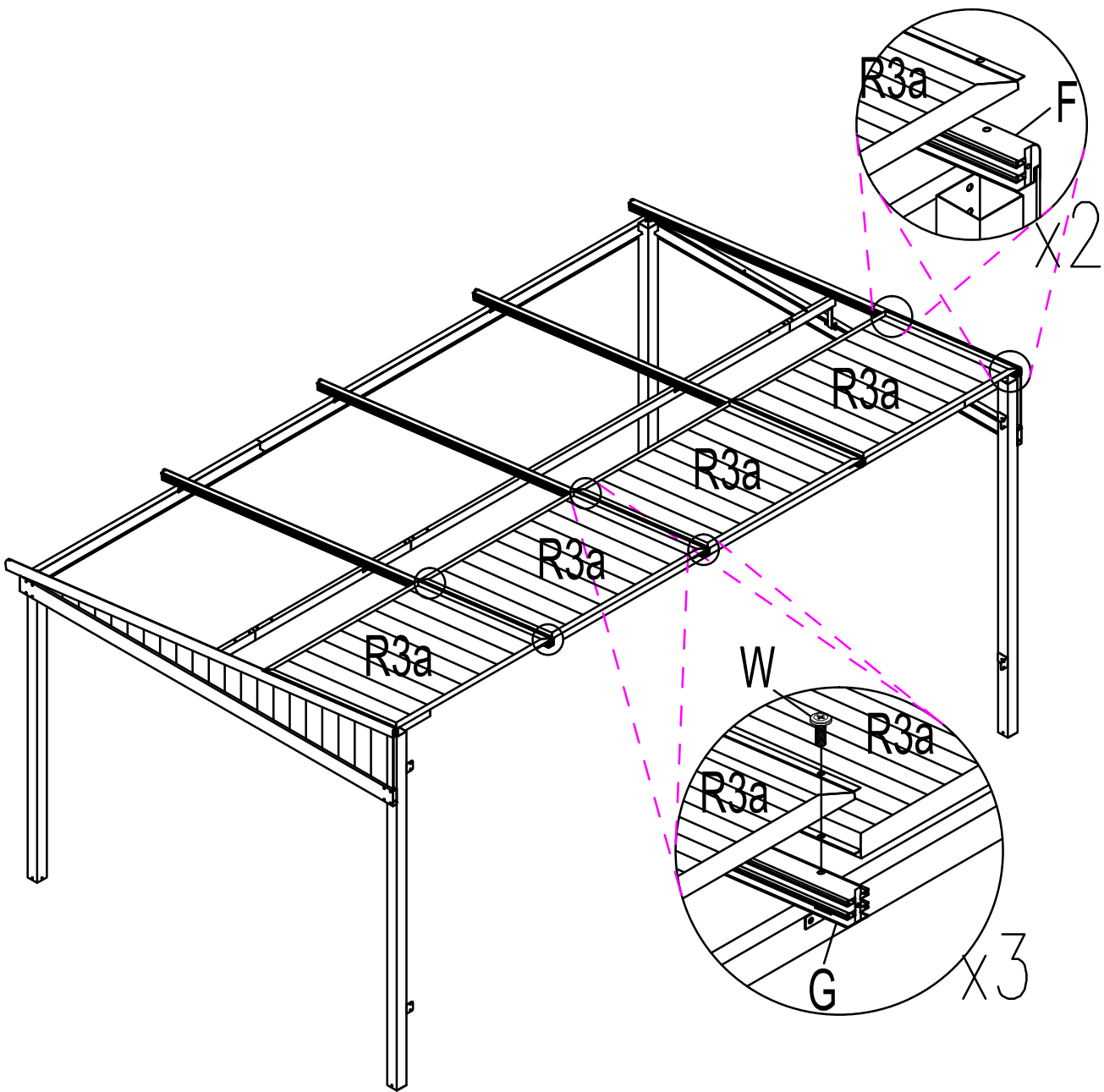
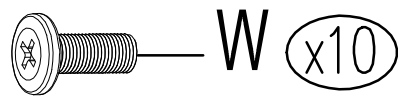


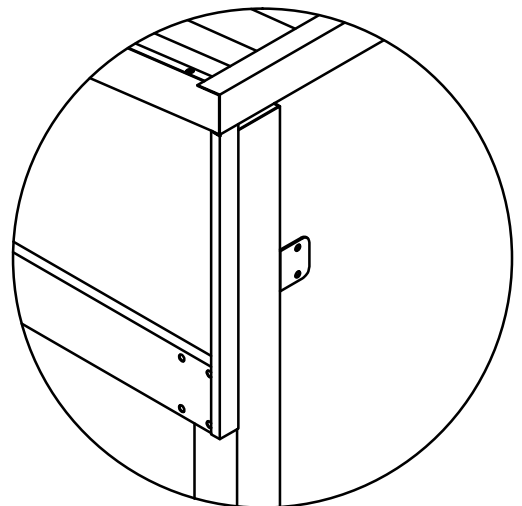
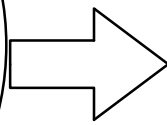
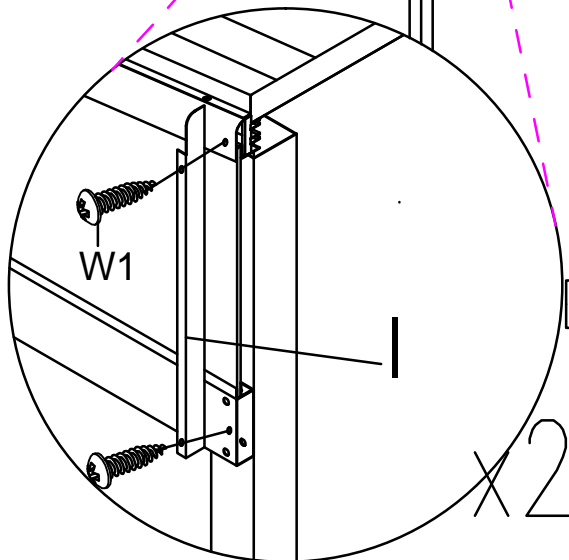
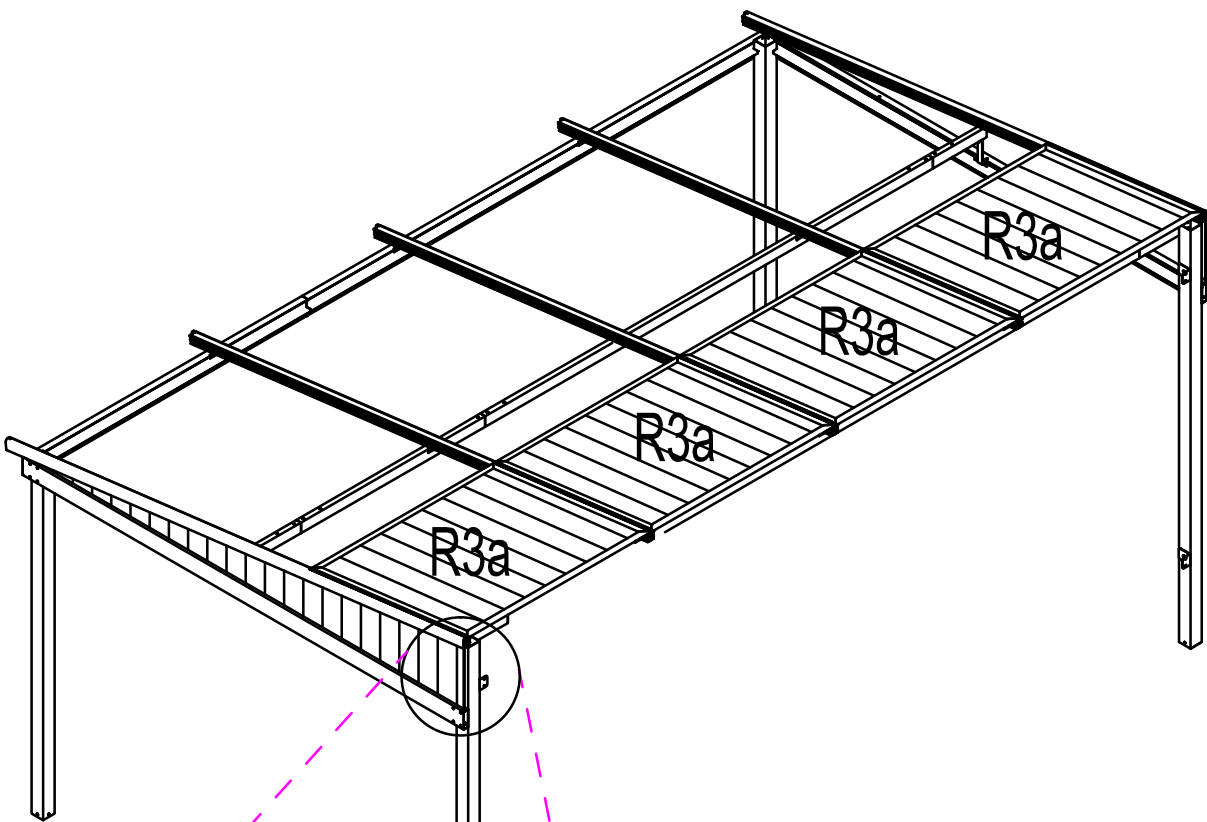
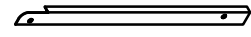
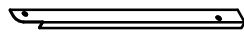
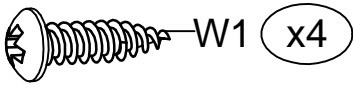


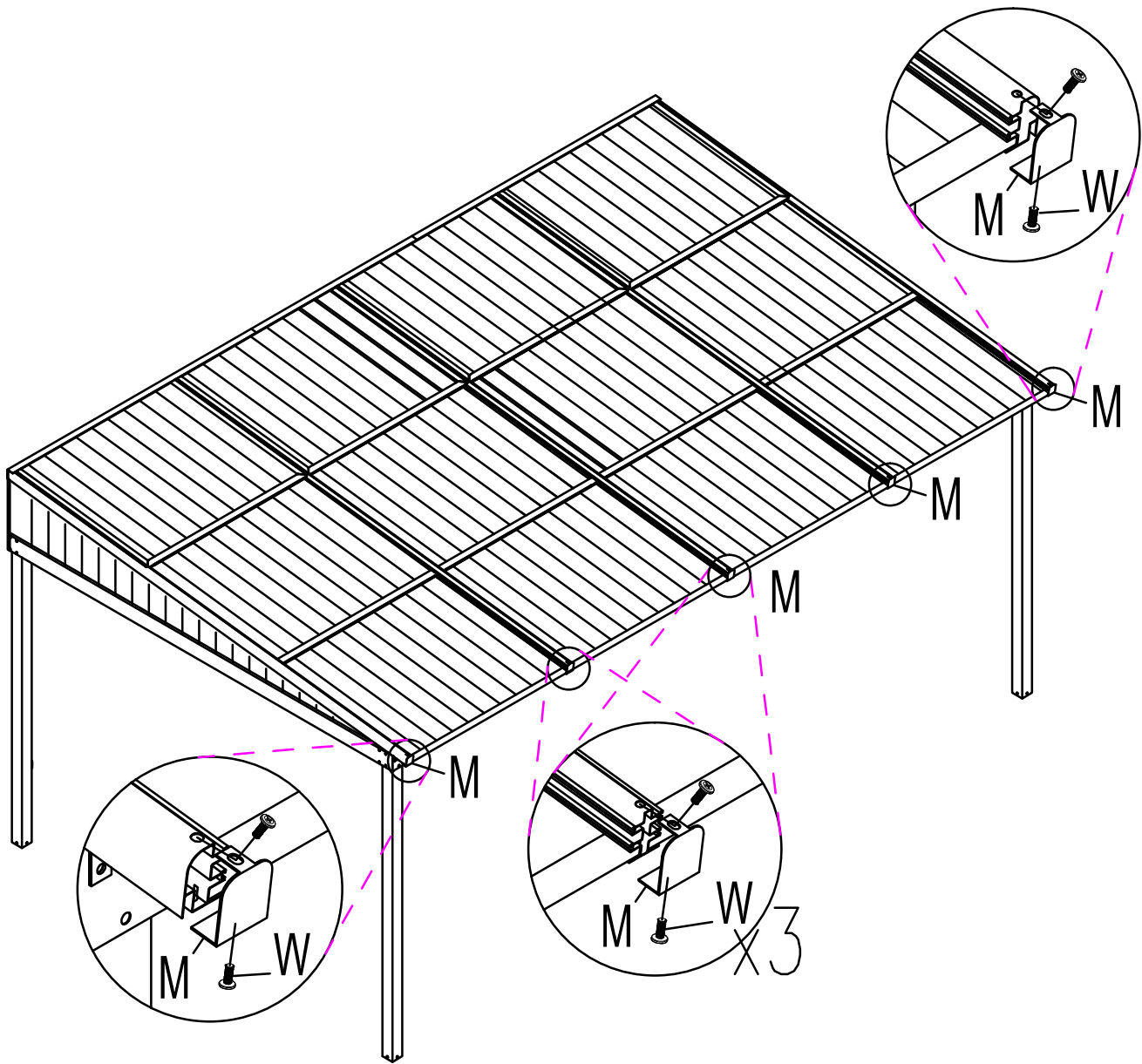
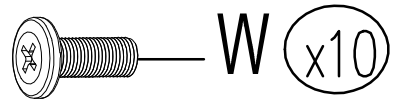
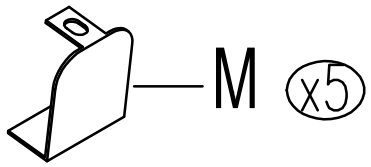


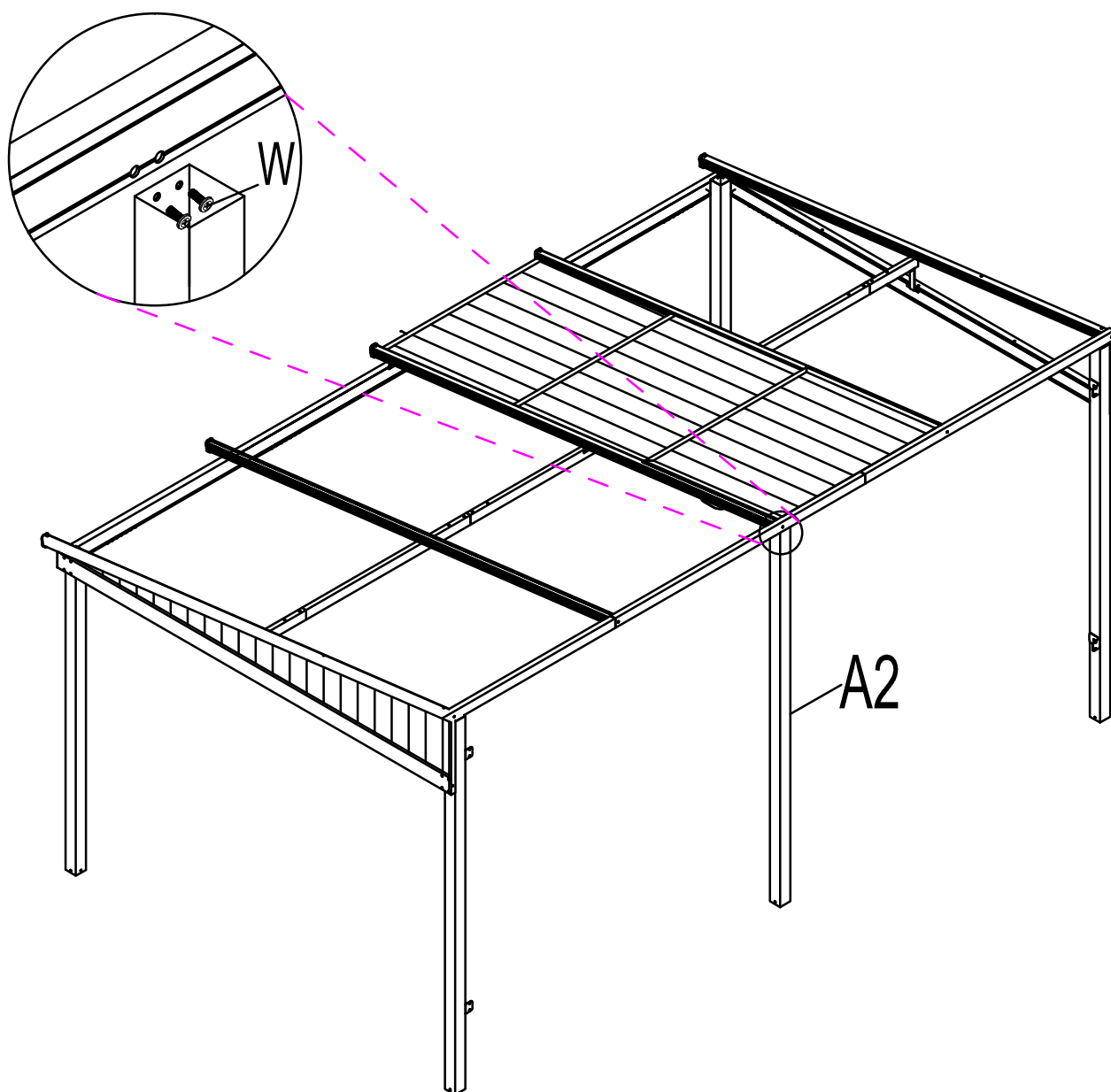
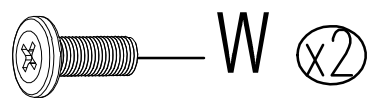
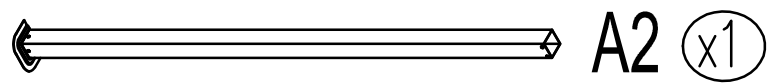


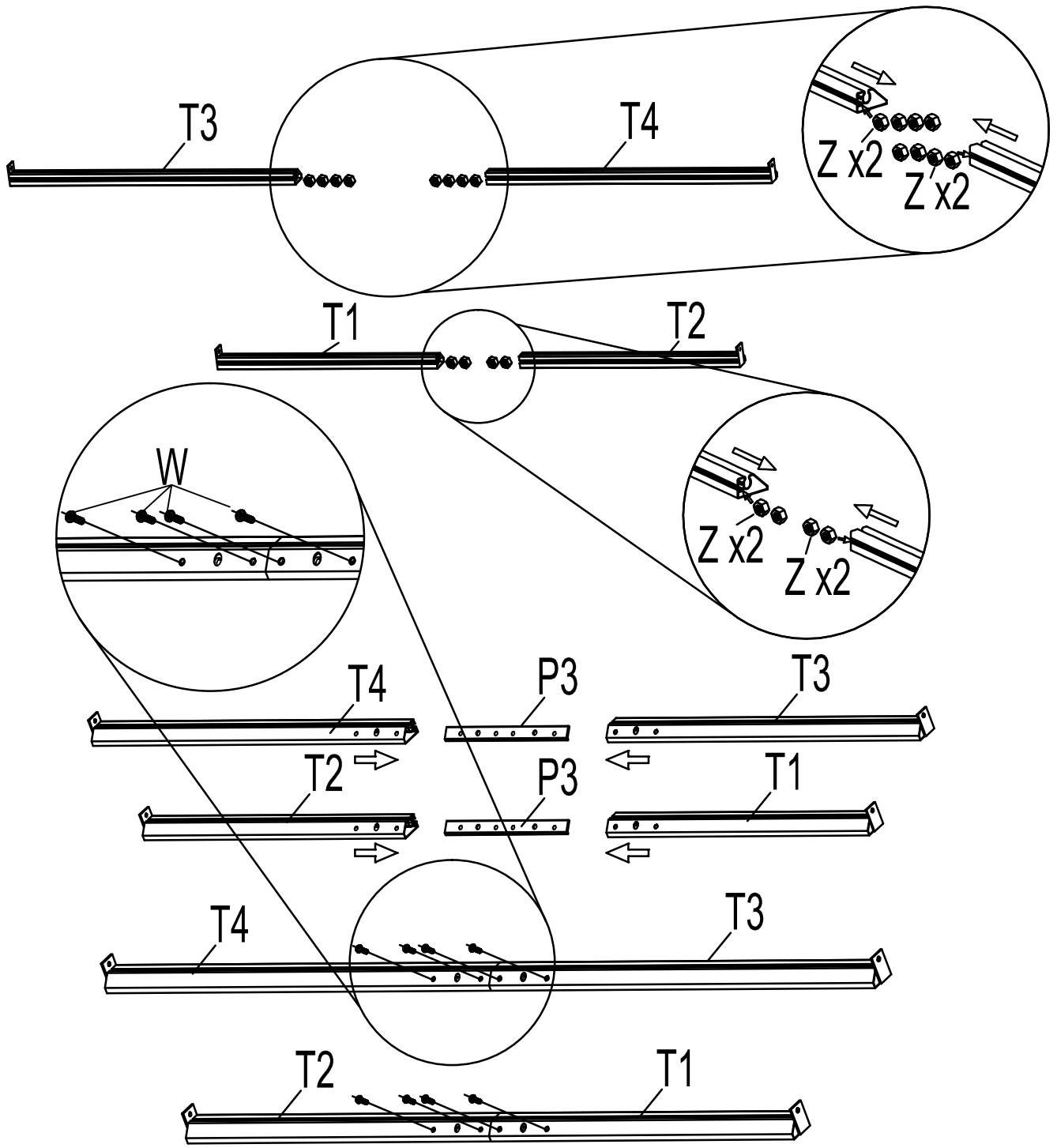




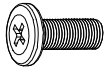


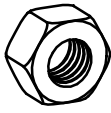



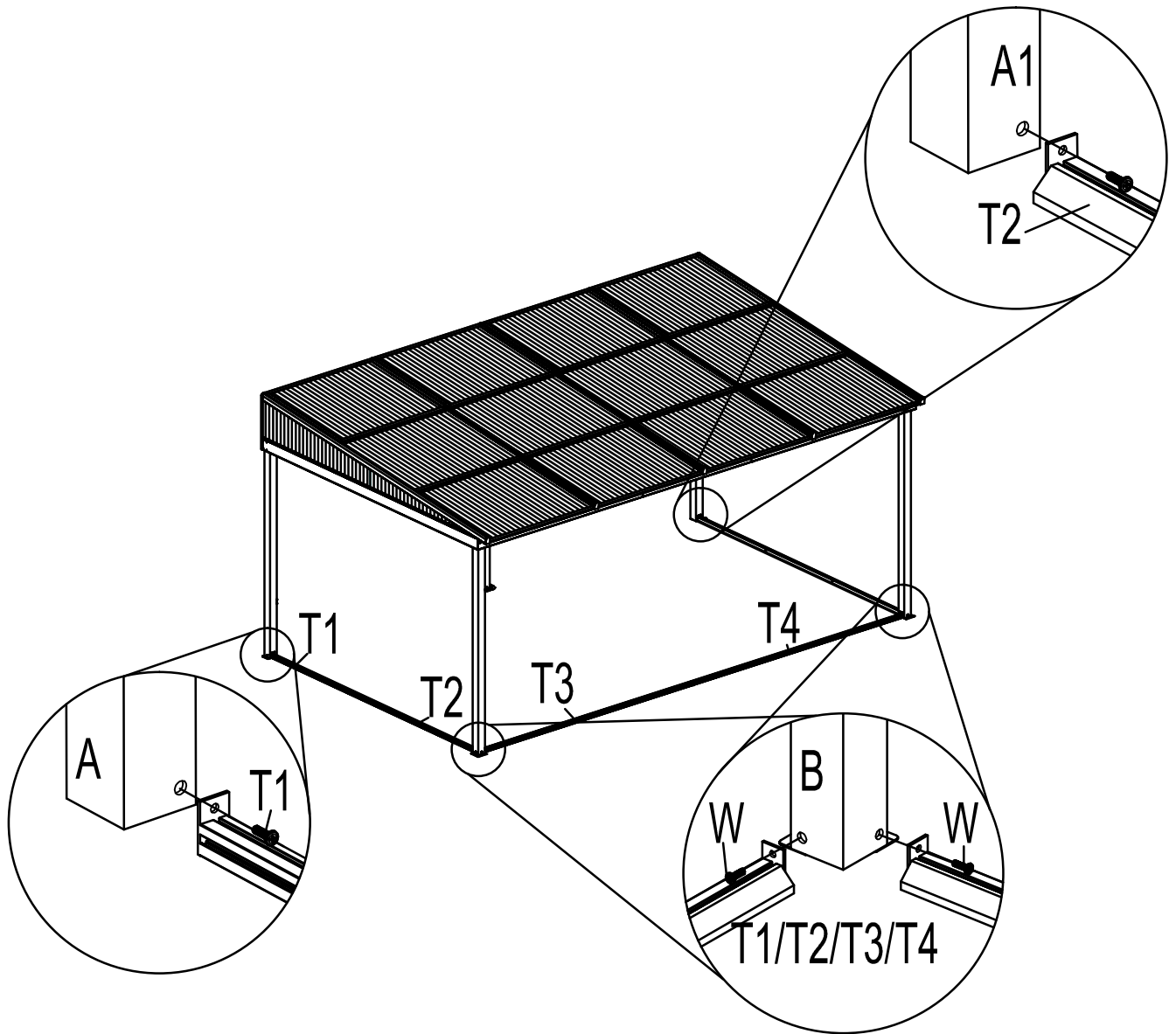


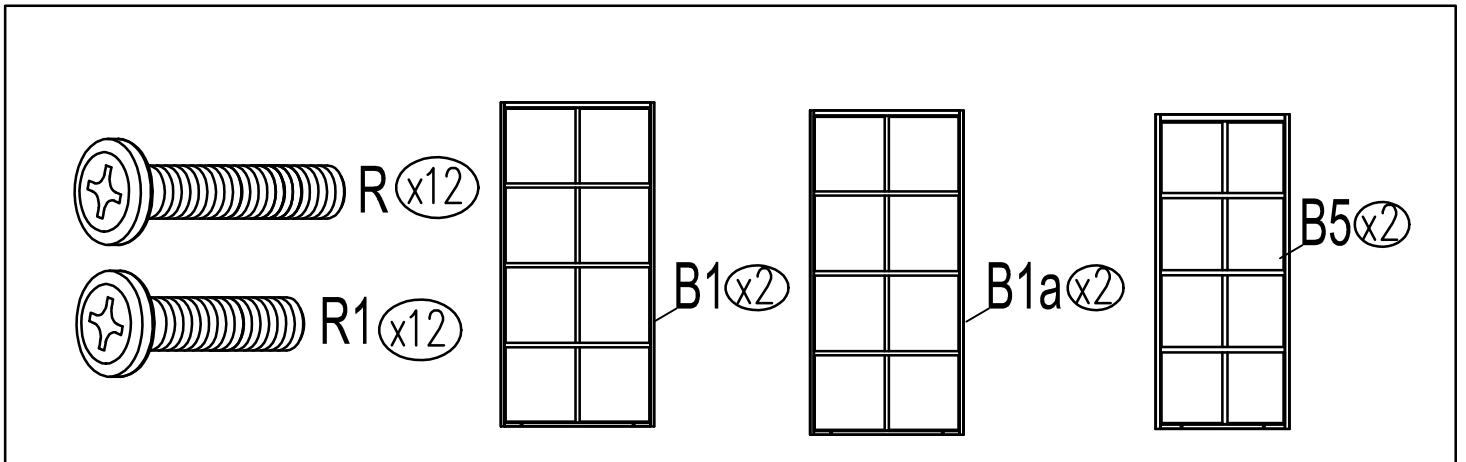
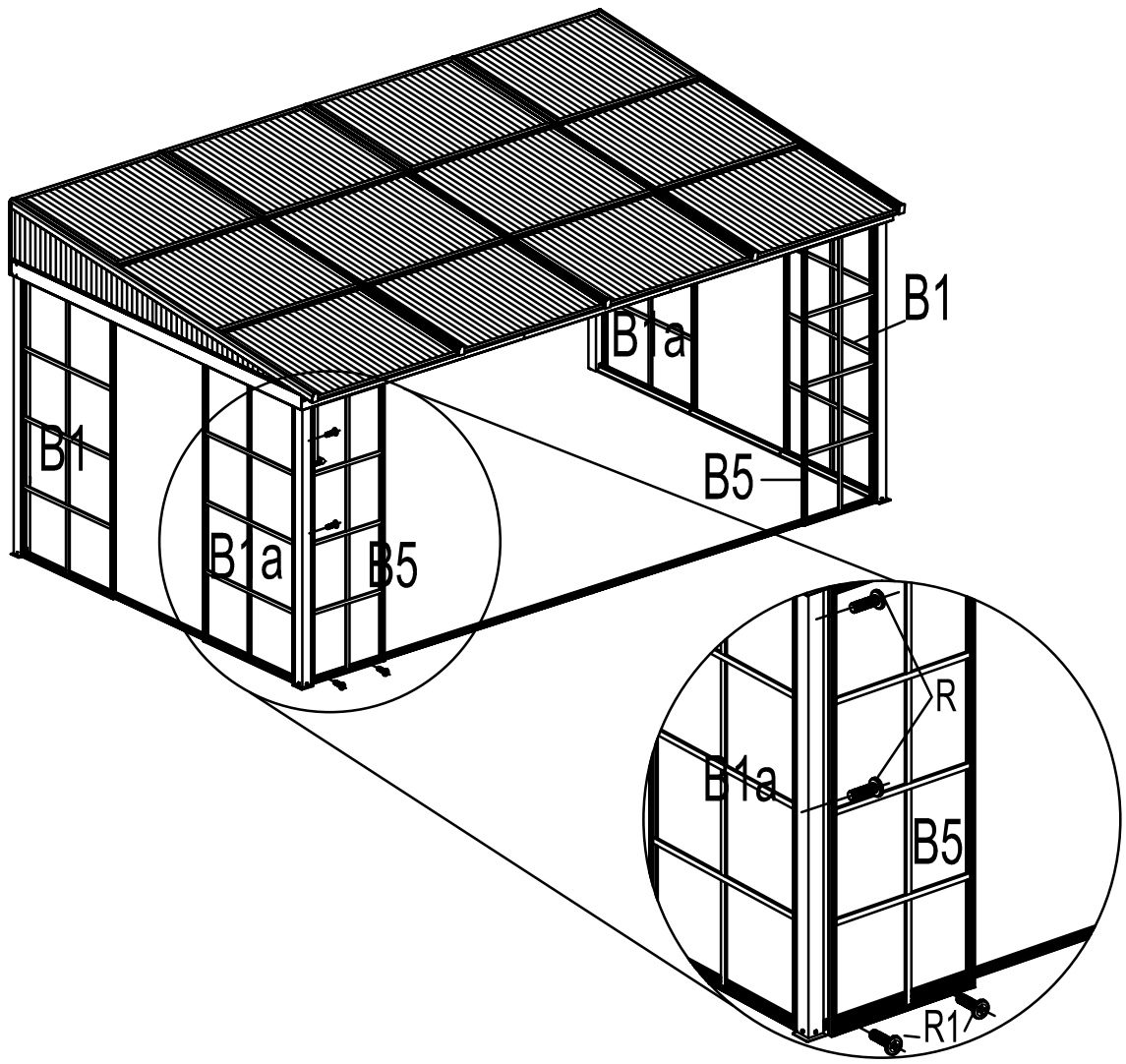


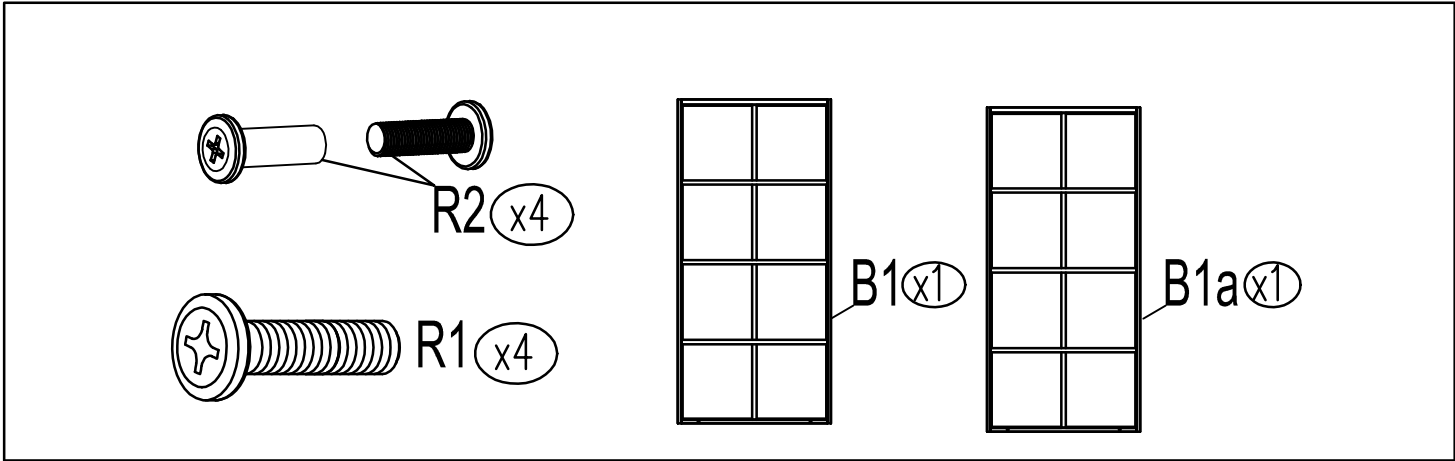
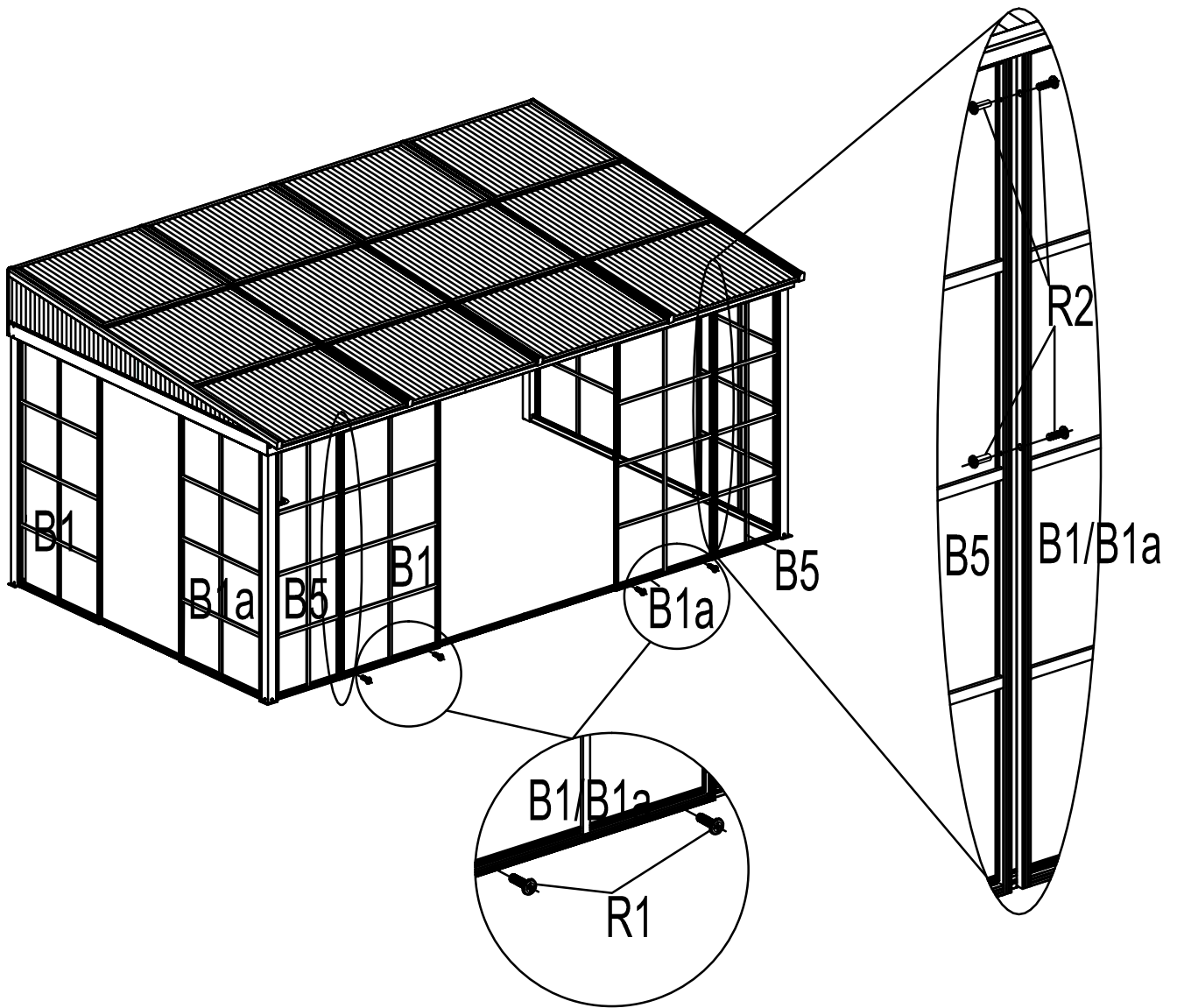




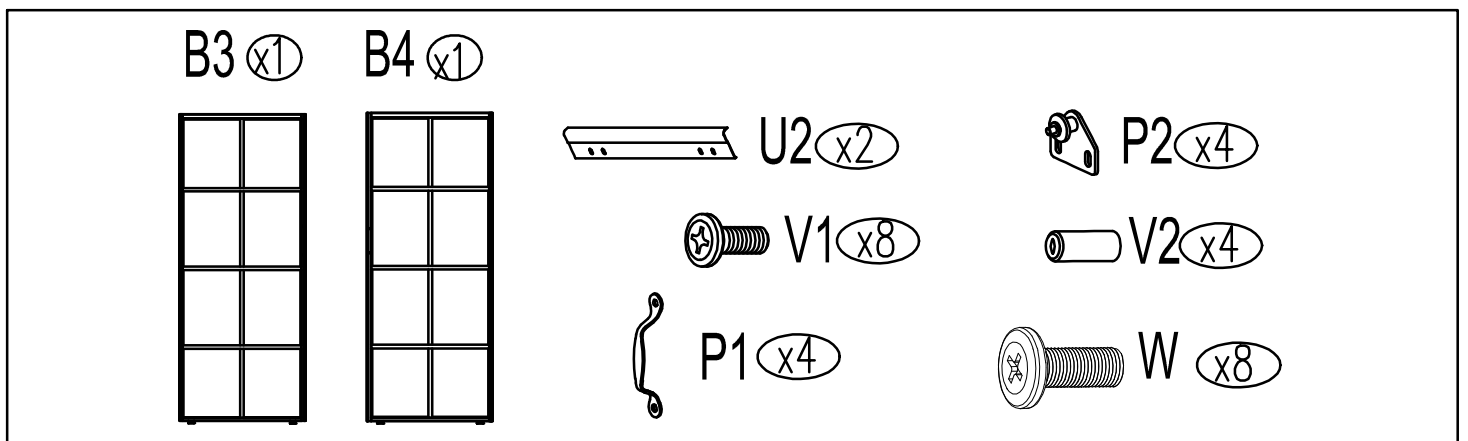
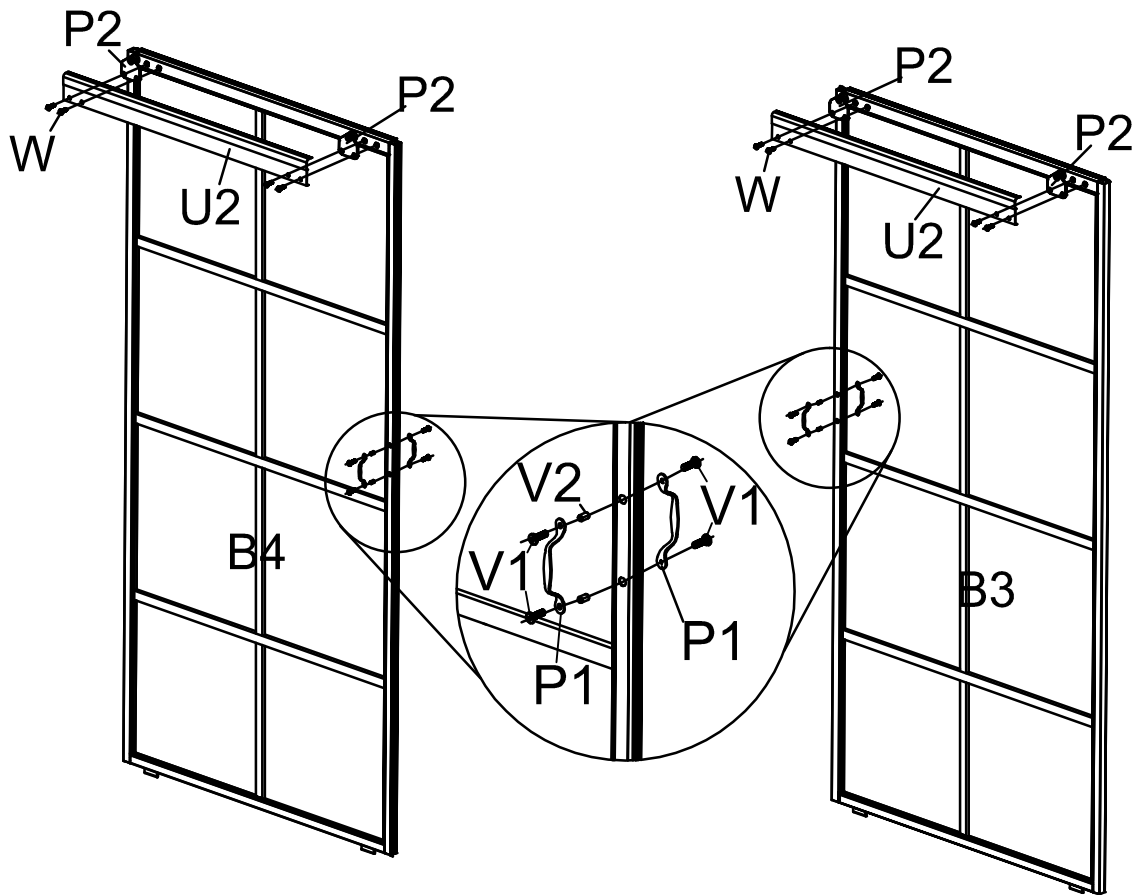
- |   |  |   |
|---|--|---|
|  T1 (x2) |  T2 (x2) |  W (x12) |
|  T3 (x1) |  T4 (x1) |   |
|  Z (x16) |  P3 (x3) |   |

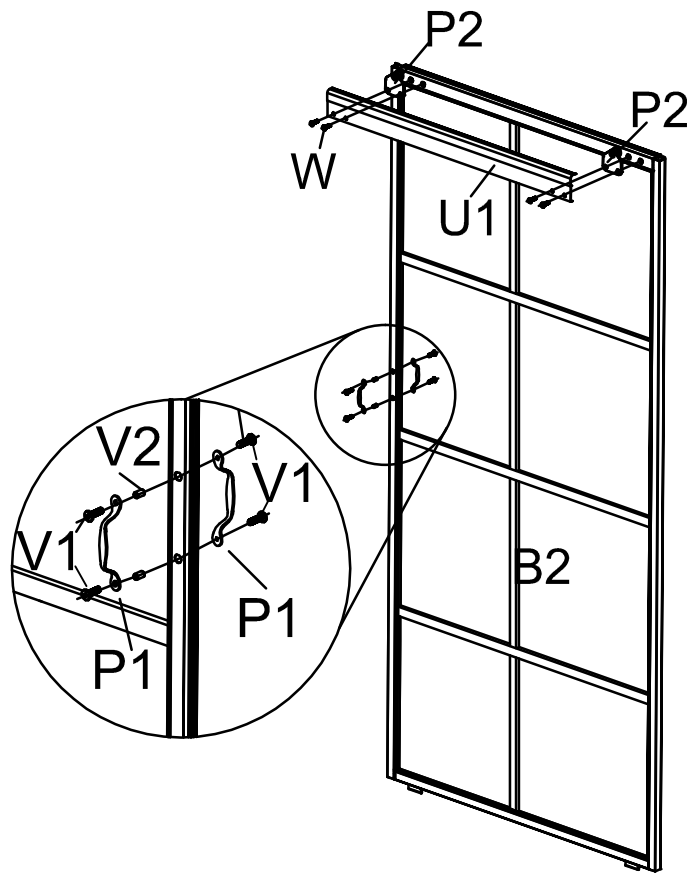




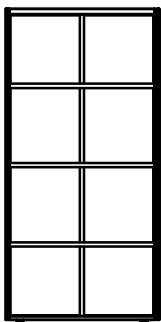








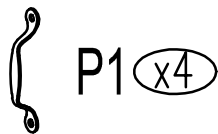
B2 (x2)



U1 (x2)



V1 (x8)



P1 (x4)



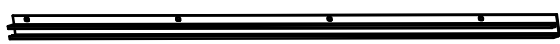
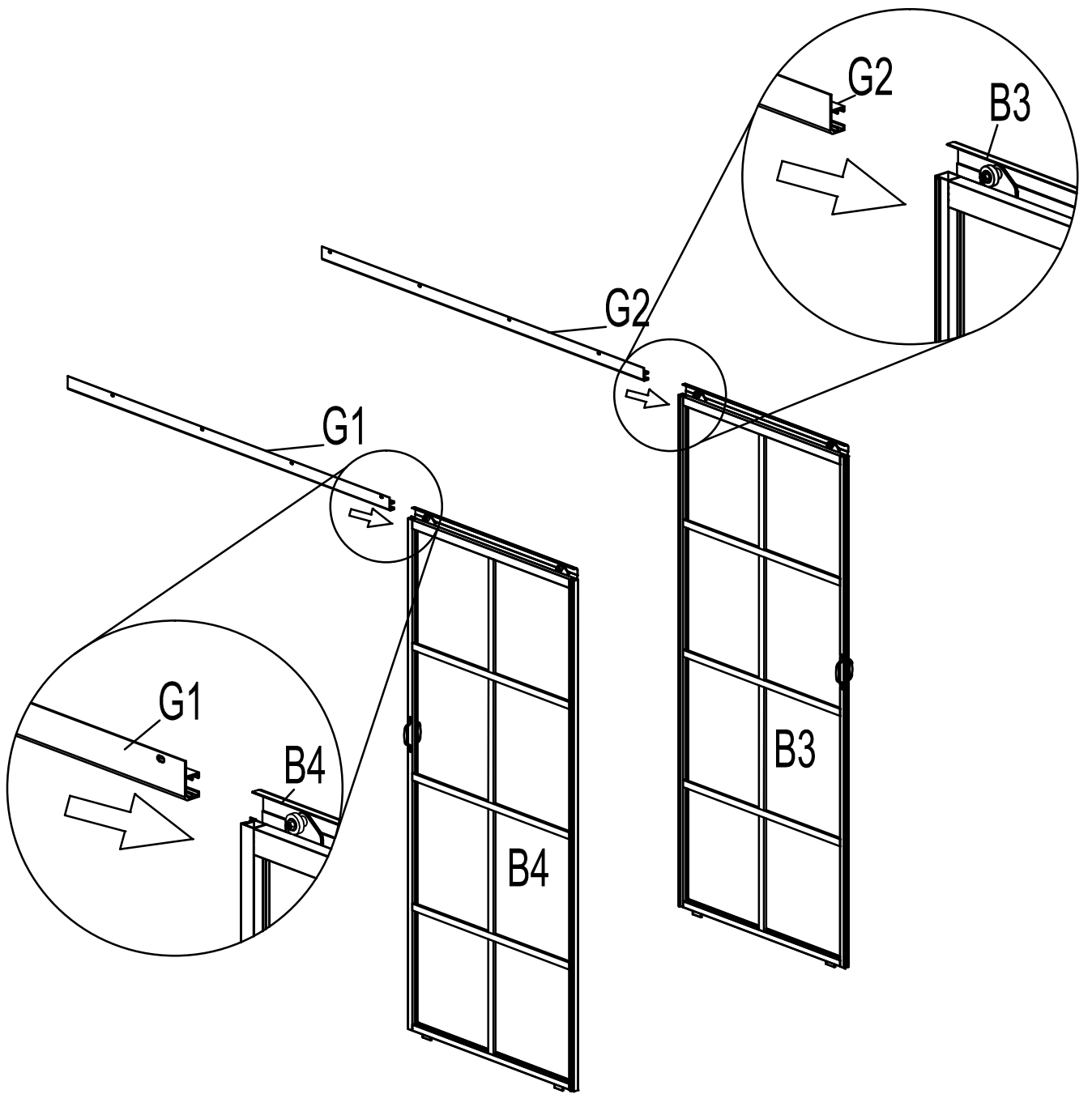
P2 (x4)



V2 (x4)



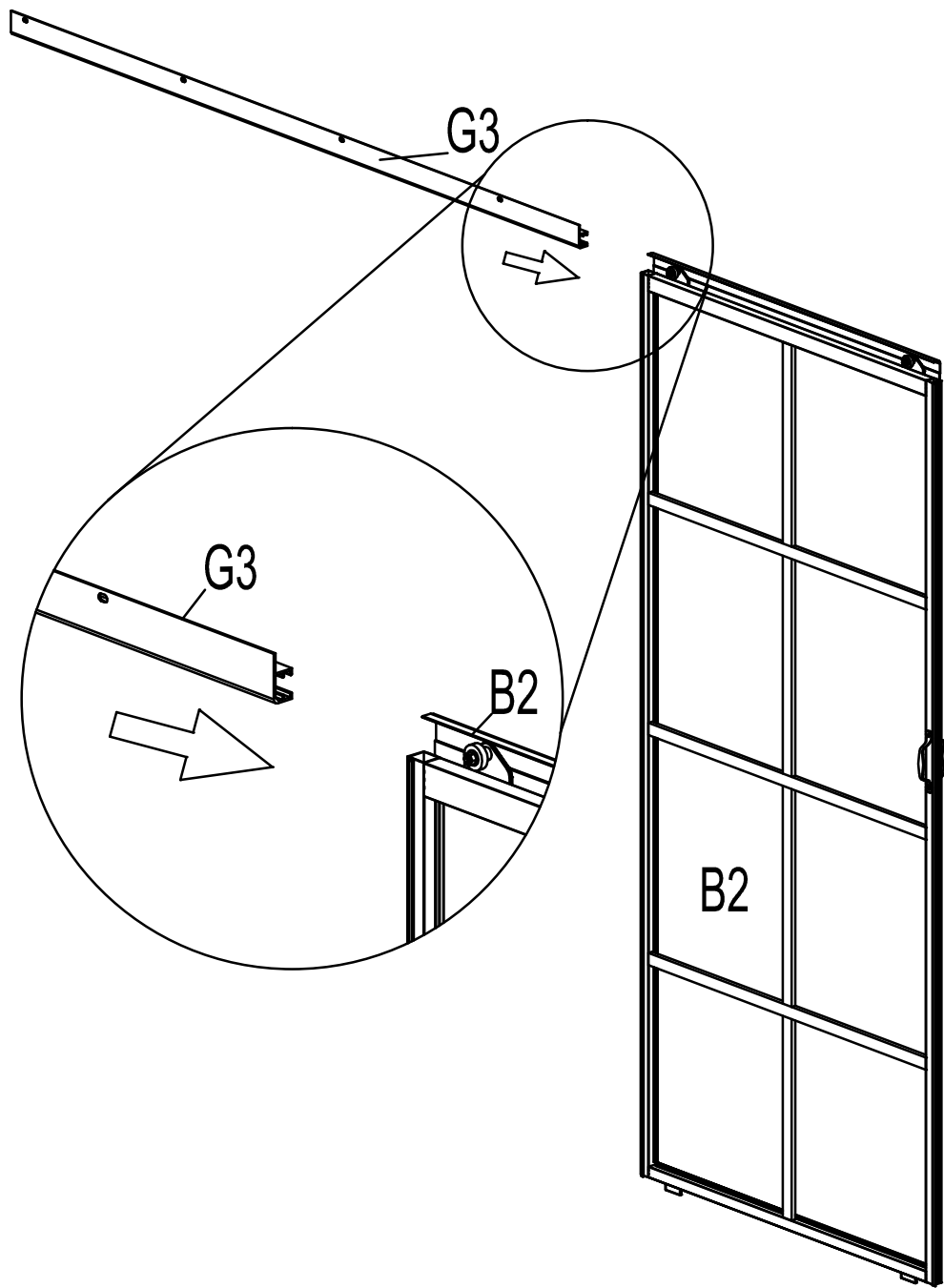
W (x8)



G1 (x1)



G2 (x1)



G3 (x2)

